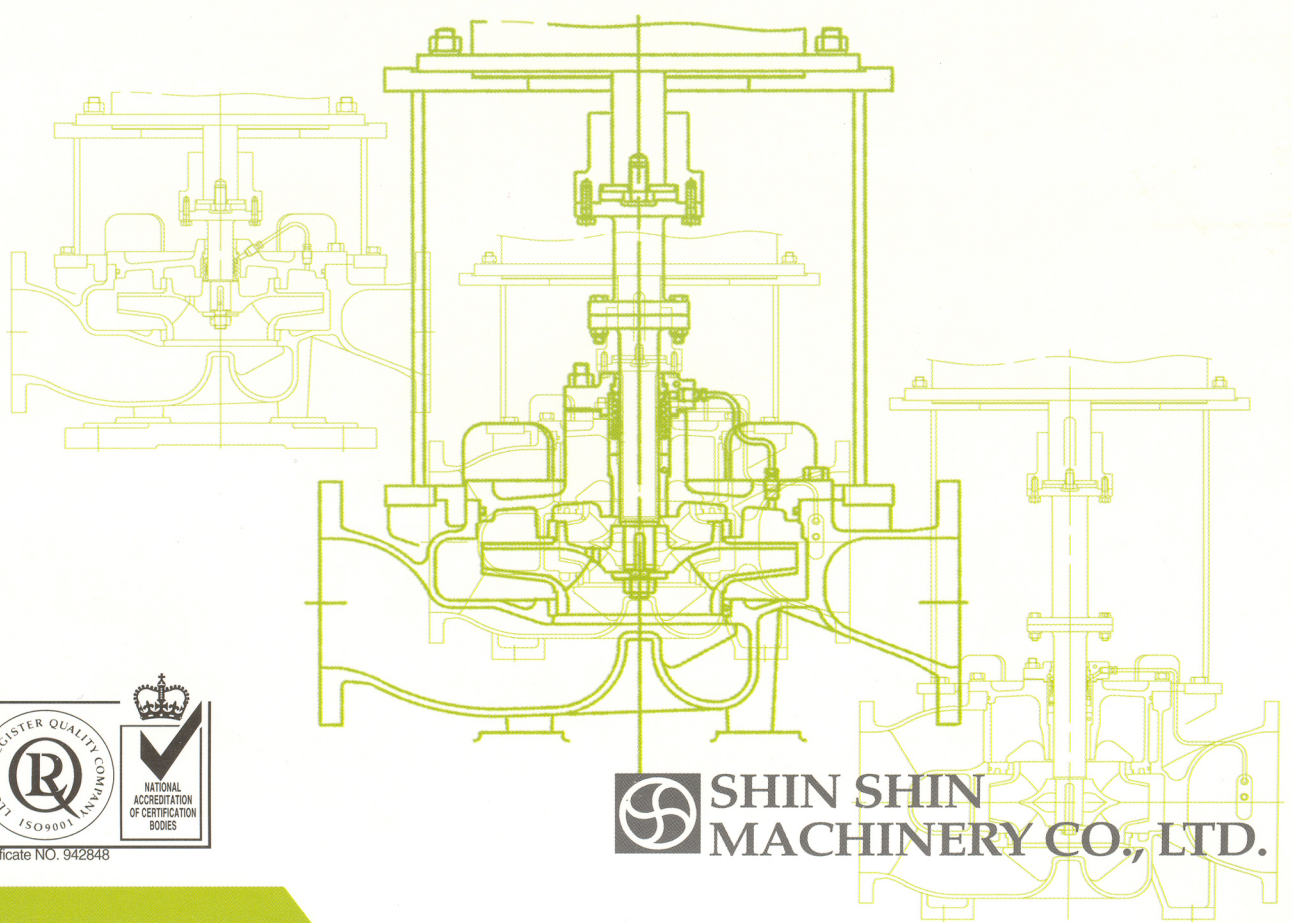


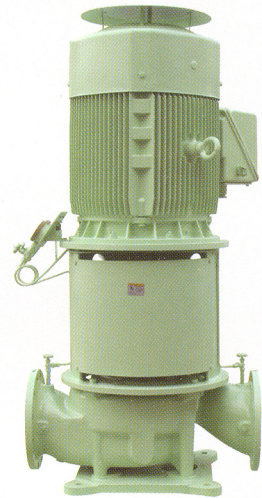
MSS



 **SHIN SHIN
MACHINERY CO., LTD.**

입형, 단단, 편흡입, 스페이스 형식

Vertical Single Stage Single Suction Spacer Type



용도 및 적용 분야

맑은 액체용(청수, 해수, 기름)
 광범위한 사용영역의 일반용도 펌핑에 사용된다.
 일반산업용, 가정용수공급용, 빌딩용, 급수시설, 수처리,
 관개 및 선박용 등

Use and applications

For clean fluids(water, sea water, oil etc.)
 For general purpose pumping in a wide range of
 services : general industries,
 domestic water, buidings, waterworks,
 water treatment, irrigation,
 marine use(fresh water, cooling water, sanitary,
 G.S, ballast.)

설계 및 구조적 특징

1. 넓은 사용영역에 걸쳐 효율이 높고, 운전이 정숙하며 고장이 적다.
2. 펌프 부품의 최대의 호환성
3. 플랜지는 KS, JS 흡입 5kg/cm²,FF
 토출 5kg/cm², 또는 10kg/cm²,FF
4. 동평형된 임펠러
5. 구동기 측에서 보아 우회전
6. 임펠러 후방 취출 구조
7. 협소한 공간에 사용이 용이하다.
8. 유지, 보수가 쉽다.
9. 동력은 리지드 커플링으로 전달된다.
10. 축 씰링은 M/Seal 또는 Packing 가능하다.

Design and construction features

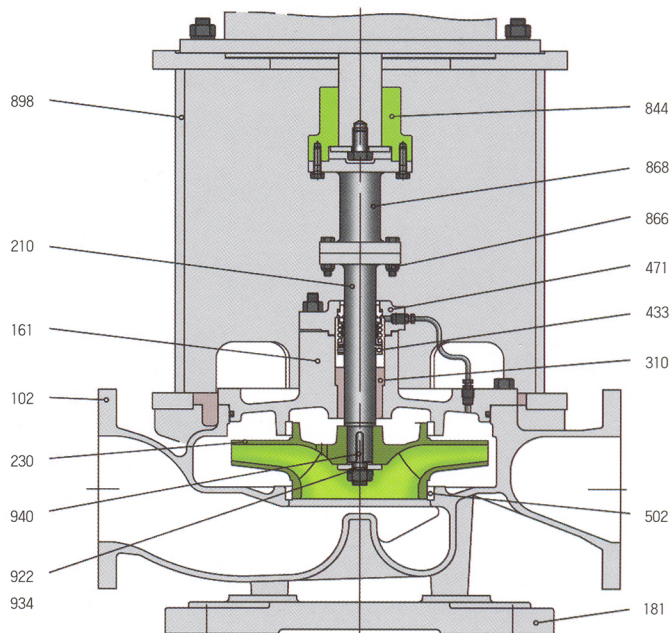
1. Good efficiency smooth operations and trouble free operation throughout a wide range of hydraulic coverage.
2. Maximum interchangeabilites of pump parts.
3. Flange are KS, JIS Suc. 5kg/cm²,FF
 Dis. 5kg/cm² 또는 10kg/cm²,FF
4. Dynamically balanced impeller.
5. Clock-wise(CW) rotation when viewed from the driver end.
6. Impeller back pull-out arrangement.
7. Available to install on a small space.
8. Easy to maintenance.
9. Power transmission is performed by a rigid coupling.
10. Shaft Sealing by M/Seal or Packing type.

Principal particulars

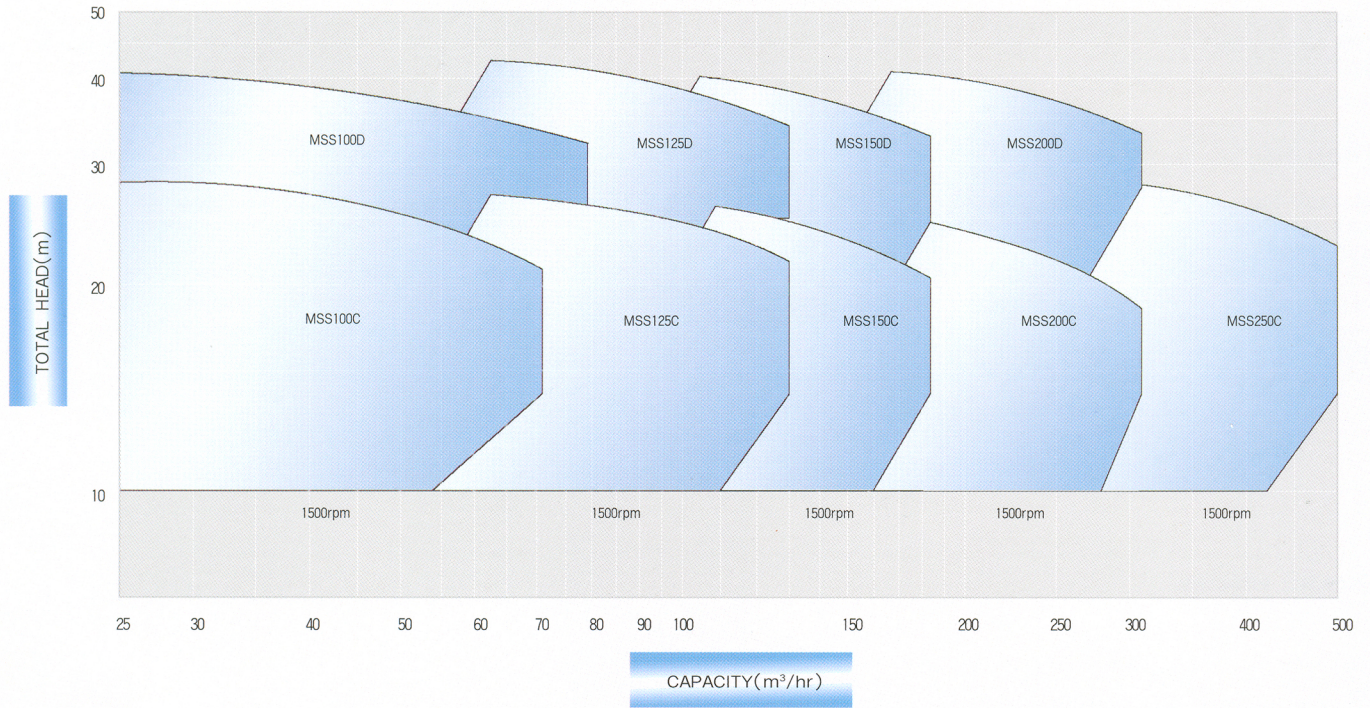
Item Model		100C	100D	125C	125D	150C	150D	200C	200D	250C
Rotation		Clockwise when viewed from driver end								
Suction Bore (mm)		100	100	125	125	150	150	200	200	250
Discharge Bore (mm)		100	100	125	125	150	150	200	200	250
Stuffing box seal		Gland packing or Mechanical seal								
Weight : GC(BC)	(kg)	170(180)	240(250)	175(190)	245(260)	230(250)	275(295)	260(280)	315(340)	360(390)
Water filled in casing	(kg)	7	8	19	20	26	28	41	43	65

Standard Materials

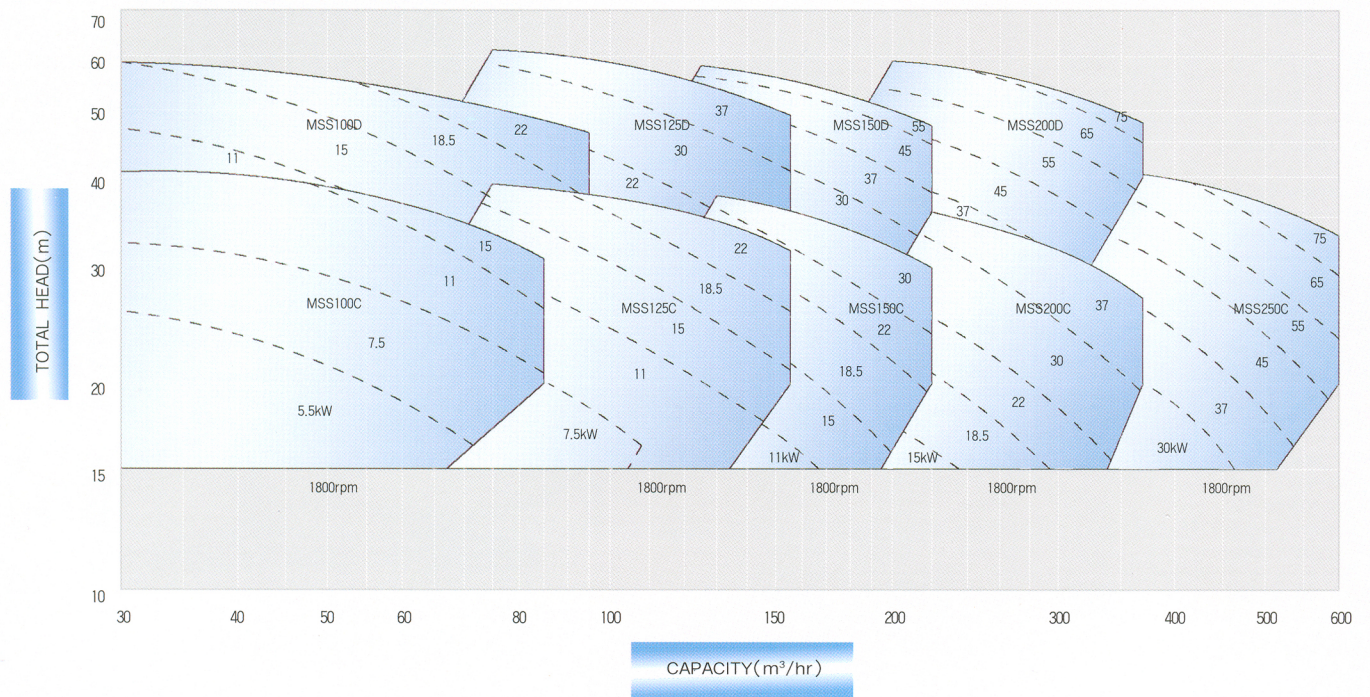
Part No.	NAME OF PART	REQ. NO. FOR 1PUMP	FOR FRESH WATER		FOR SEA WATER	
			NAME	KS	NAME	KS
102	Volute Casing	1	Cast Iron	GC200	Bronze	BC6
161	Casing Cover	1	Cast Iron	GC200	Bronze	BC6
181	Pump Bed	1	Cast Iron	GC200	Cast Iron	GC200
210	Shaft	1	Stainless Steel	STS304	Stainless Steel	STS304
230	Impeller	1	Phosphore Bronze	PBC2	Phosphore Bronze	PBC2
310	Sleeve Bearing	1	PAG	-	PAG	-
433	Mechanical Seal	1	-	-	-	-
471	Seal Cover	1	Bronze	BC6	Bronze	BC6
502	Casing Wear Ring	2	PSG	-	PSG	-
844	Coupling	1	Ductile Cast Iron	GCD450	Ductile Cast Iron	GCD450
866	Coupling Bolt/Nut	8	Cr.Mo Steel	SCM440	Cr.Mo Steel	SCM440
868	Coupling Spacer	1	Ductile Cast Iron	GCD450	Ductile Cast Iron	GCD450
898	Motor Frame	1	Steel	SS400	Steel	SS400
922	Impeller Nut	1	Stainless Steel	STS304	Stainless Steel	STS304
934	Lock Washer	1	Stainless Steel	STS304	Stainless Steel	STS304
940	Impeller Key	1	Stainless Steel	STS304	Stainless Steel	STS304



Single Suction 편흡입(50Hz)

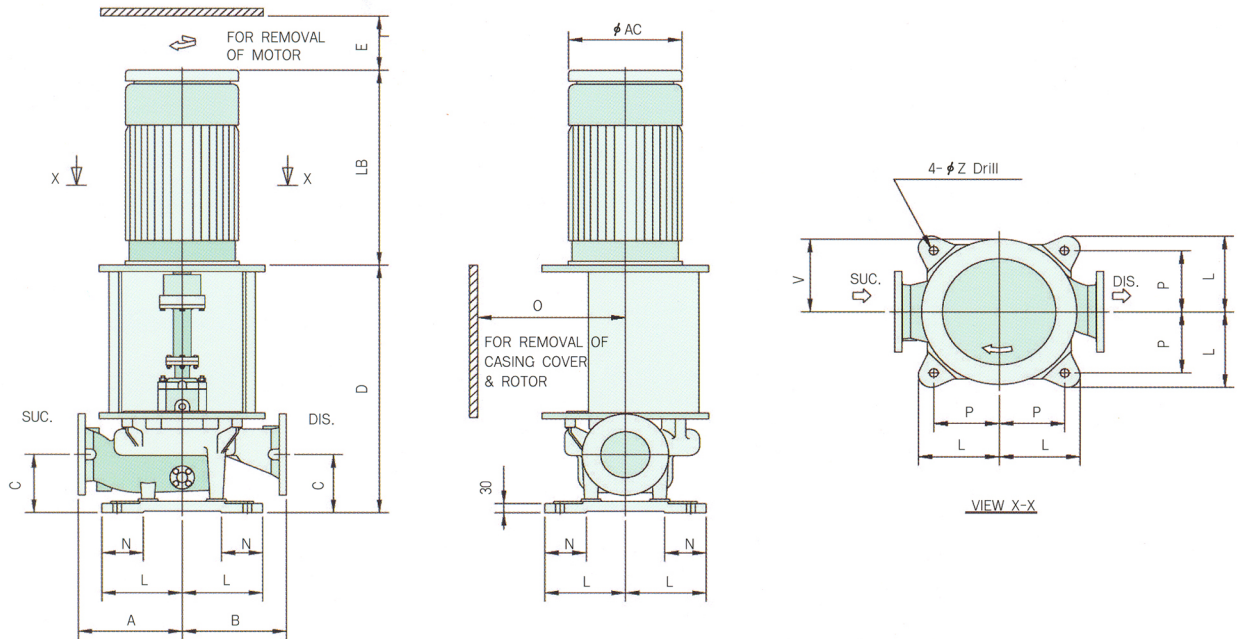


Single Suction 편흡입(60Hz)



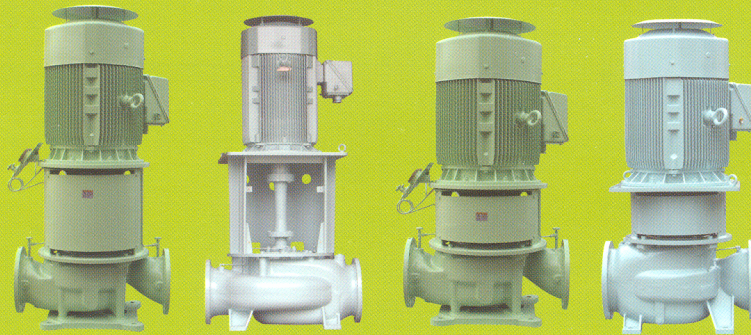
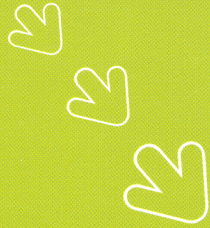
| 외형치수도 |

| Outline dimensions



Dimensions : mm

Model	Bore		A	B	C	D	E	LB	L	N	O	P	Z	AC	V
	Suc.	Dis.													
MSS 100C	100	100	280	280	160	700	250	595	218	130	700	170	28	350	230
MSS 100D	100	100	330	330	160	750	250	650	250	130	700	200	28	390	280
MSS 125C	125	125	290	290	170	720	250	650	218	130	700	170	28	390	230
MSS 125D	125	125	330	330	180	815	250	665	250	130	700	200	28	390	280
MSS 150C	150	150	320	320	190	815	250	650	250	130	700	200	28	390	260
MSS 150D	150	150	350	350	190	835	250	775	275	130	700	225	28	450	320
MSS 200C	200	200	370	370	210	880	250	665	275	130	700	225	28	390	260
MSS 200D	200	200	370	370	200	880	250	865	275	130	700	225	28	500	320
MSS 250C	250	250	420	420	220	915	250	865	275	130	700	225	28	500	320



SHIN SHIN MACHINERY CO., LTD.

Head Office & Factory

940-13 Yerimri, Chongwan, Gijang, Pusan, Korea.

Phone : (051)727-5300~4, 727-5290~2

Telefax: (051)727-5305~6

Seoul Office

Phone : (02)752-8419/8403, 778-8832

Telefax: (02)755-3156

