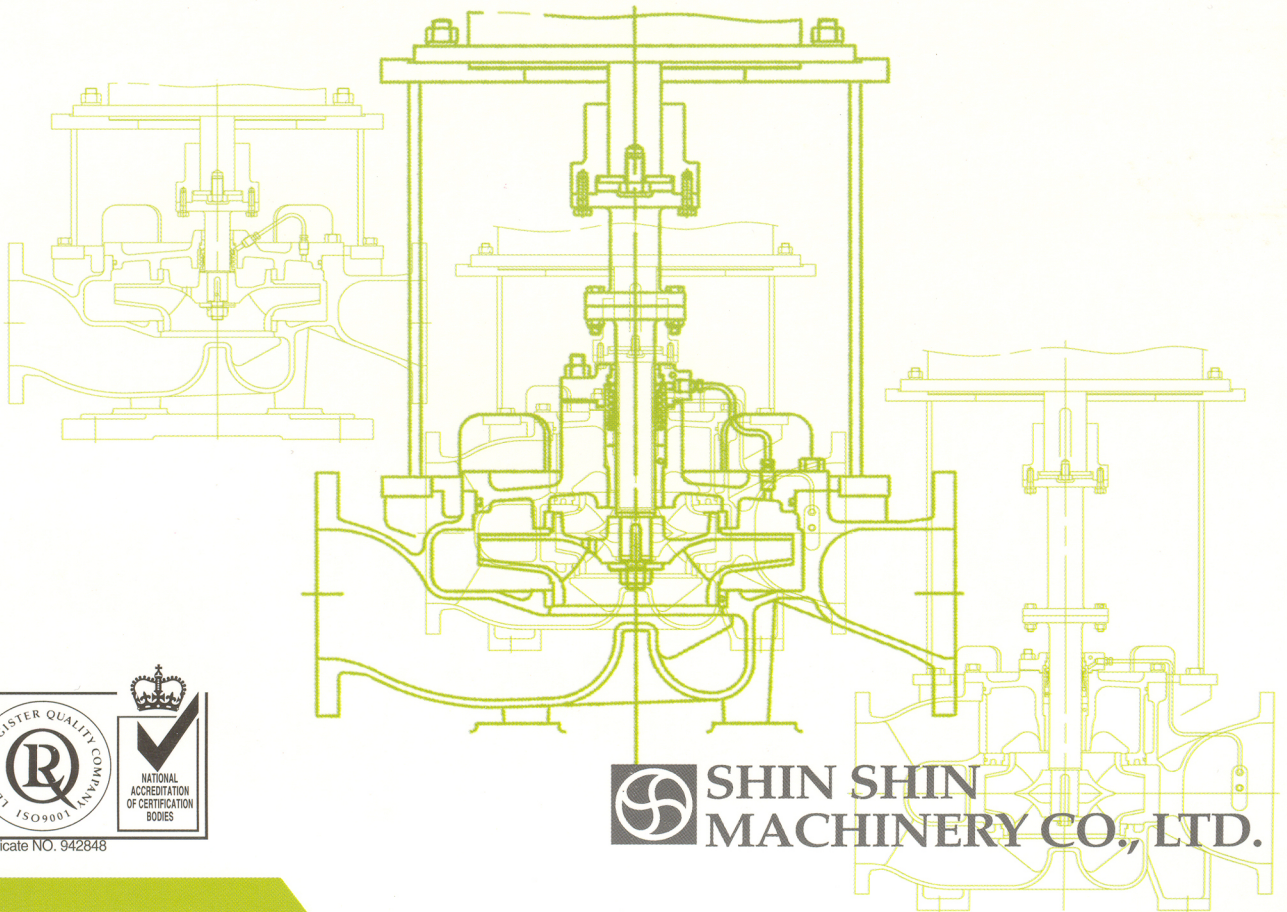


MDS

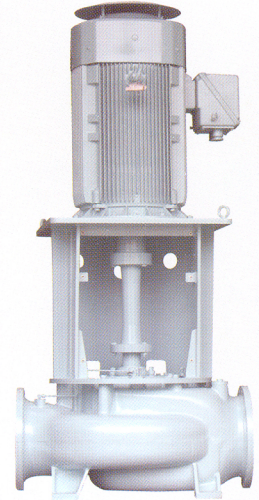


Certificate NO. 942848

 **SHIN SHIN
MACHINERY CO., LTD.**

입형, 단단, 양흡입, 스페이스 형식

Vertical Single Stage Double Suction Spacer Type



용도 및 적용 분야

맑은 액체용(청수, 해수, 기름)
 광범위한 사용영역의 일반용도 펌핑에 사용된다.
 일반산업용, 가정용수공급용, 빌딩용, 급수시설, 수처리,
 관개 및 선박용 등

Use and applications

For clean fluids(water, sea water, oil etc.)
 For general purpose pumping in a wide range of
 services : general industries,
 domestic water, buidings, waterworks,
 water treatment, irrigation,
 marine use(fresh water, cooling water, sanitary,
 G.S, ballast.)

설계 및 구조적 특징

1. 넓은 사용영역에 걸쳐 효율이 높고, 운전이 정숙하며
고장이 적다.
2. 펌프 부품의 최대의 호환성
3. 플랜지는 KS, JIS 흡입 5kg/cm²,FF
토출 5kg/cm², 또는 10kg/cm²,FF
4. 동평형된 임펠러
5. 구동기 측에서 보아 우회전
6. 임펠러 후방 취출 구조
7. 협소한 공간에 사용이 용이하다.
8. 유지, 보수가 쉽다.
9. 동력은 리지드 카플링으로 전달된다.
10. 축 씰링은 M/Seal 또는 Packing 가능하다.

Design and construction features

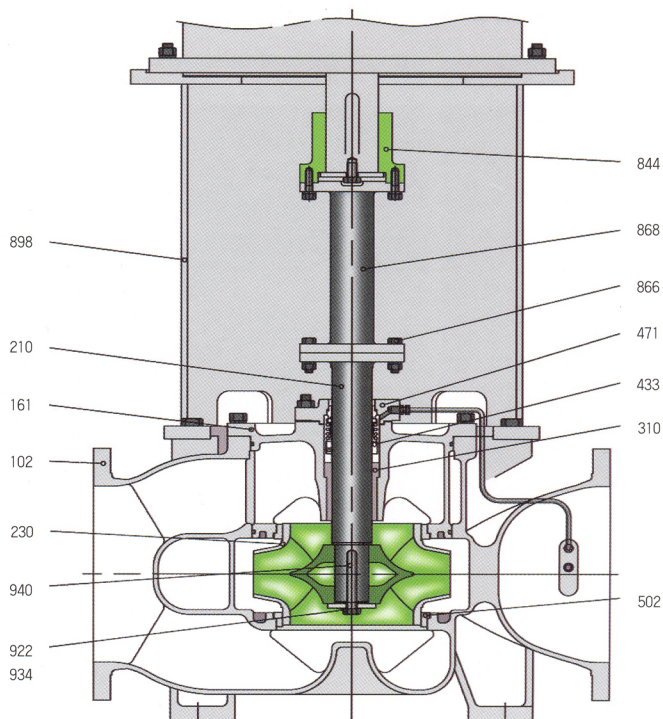
1. Good efficiency smooth operations and trouble
free operation throughout a wide range of
hydraulic coverage.
2. Maximum interchangeabilites of pump parts.
3. Flange are KS, JIS Suc. 5kg/cm²,FF
Dis. 5kg/cm² 또는 10kg/cm²,FF
4. Dynamically balanced impeller.
5. Clock-wise(CW) rotation when viewd from the
driver end.
6. Impeller back pull-out arrangement.
7. Available to install on a small space.
8. Easy to maintenance.
9. Power transmission is performed by a rigid coupling.
10. Shaft Sealing by M/Seal or Packing type.

Principal particulars

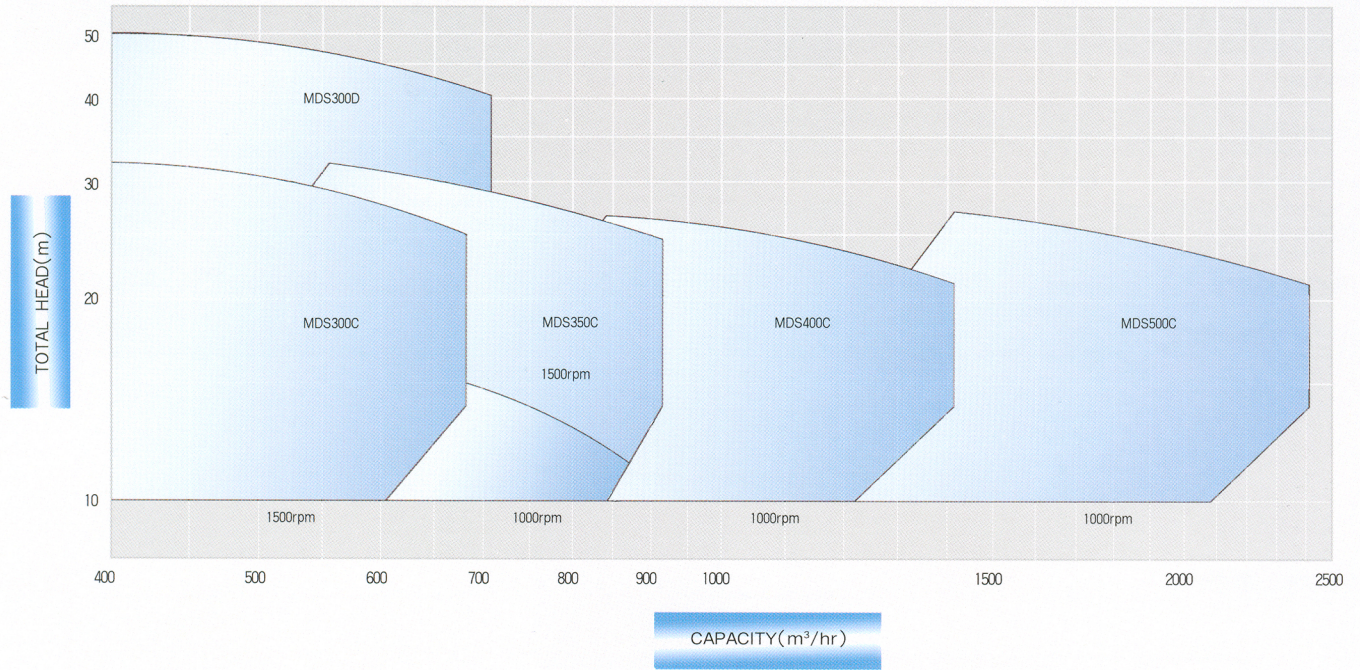
Item Model		300C	300D	350C	400C	500C
Rotation		Clockwise when viewed from driver end				
Suction Bore	(mm)	300	300	350	400	500
Discharge Bore	(mm)	300	250	350	400	500
Stuffing box seal		Gland packing or Mechanical seal				
Weight : GC(BC)	(kg)	500(560)	550(560)	600(560)	940(1040)	1980(2080)
Water filled in casing	(kg)	124	150	150	295	450

Standard Materials

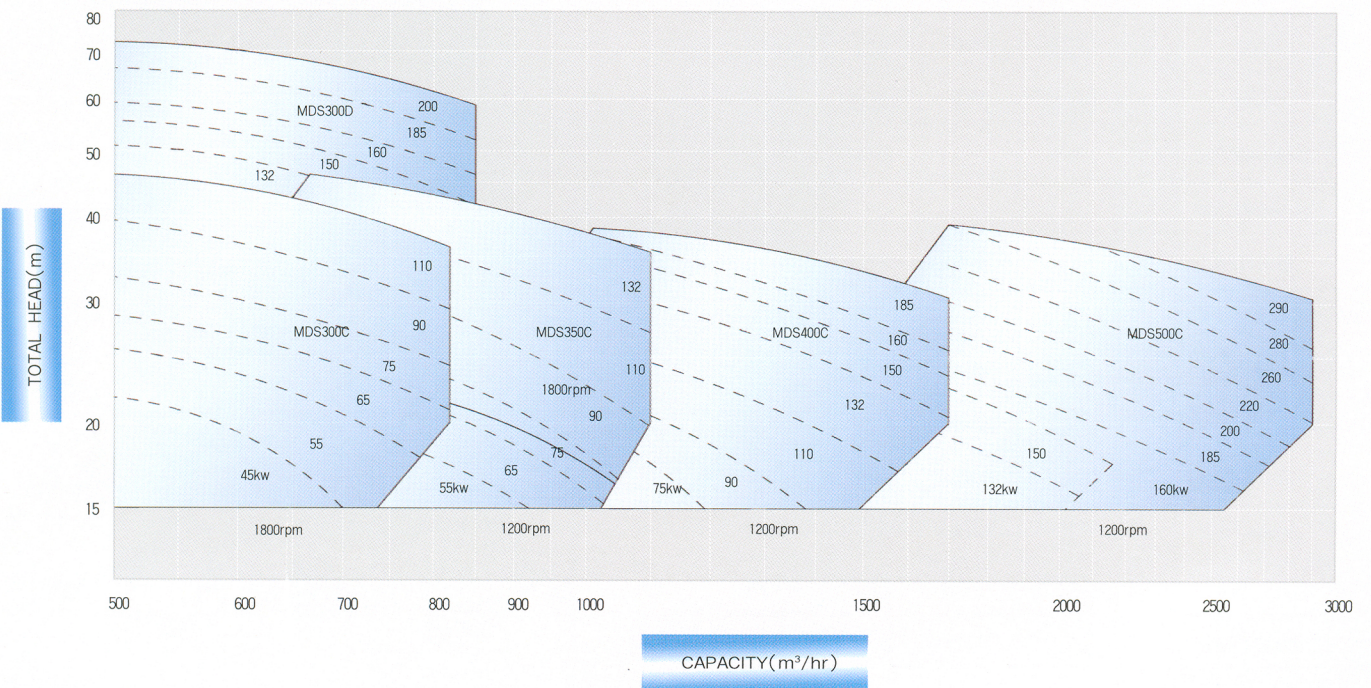
Part No.	NAME OF PART	REQ. NO. FOR 1PUMP	FOR FRESH WATER		FOR SEA WATER	
			NAME	KS	NAME	KS
102	Volute Casing	1	Cast Iron	GC200	Bronze	BC6
161	Casing Cover	1	Cast Iron	GC200	Bronze	BC6
210	Shaft	1	Stainless Steel	STS304	Stainless Steel	STS304
230	Impeller	1	Phosphore Bronze	PBC2	Phosphore Bronze	PBC2
310	Sleeve Bearing	1	PAG	-	PAG	-
433	Mechanical Seal	1	-	-	-	-
471	Seal Cover	1	Bronze	BC6	Bronze	BC6
502	Casing Wear Ring	2	Leaded Tin Bronze	LBC4	Leaded Tin Bronze	LBC4
844	Coupling	1	Ductile Cast Iron	GCD450	Ductile Cast Iron	GCD450
866	Coupling Bolt/Nut	6	Cr.Mo Steel	SCM440	Cr.Mo Steel	SCM440
898	Motor Frame	1	Steel	SS400	Steel	SS400
922	Impeller Bolt	1	Stainless Steel	STS304	Stainless Steel	STS304
934	Lock Washer	1	Stainless Steel	STS304	Stainless Steel	STS304
940	Impeller Key	1	Stainless Steel	STS304	Stainless Steel	STS304



Double Suction 양흡입(50Hz)

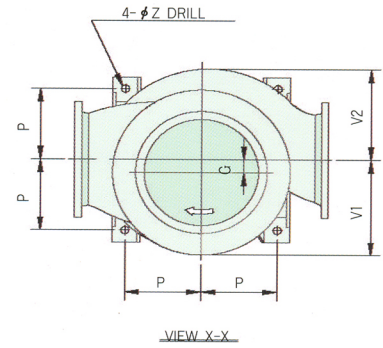
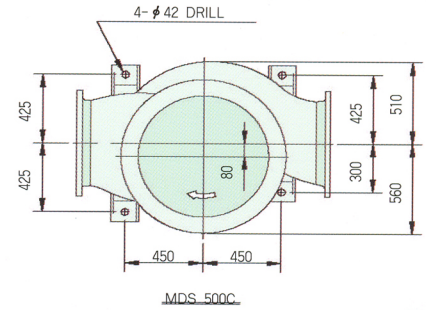
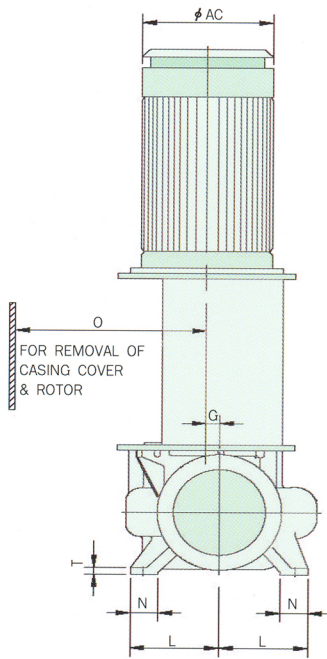
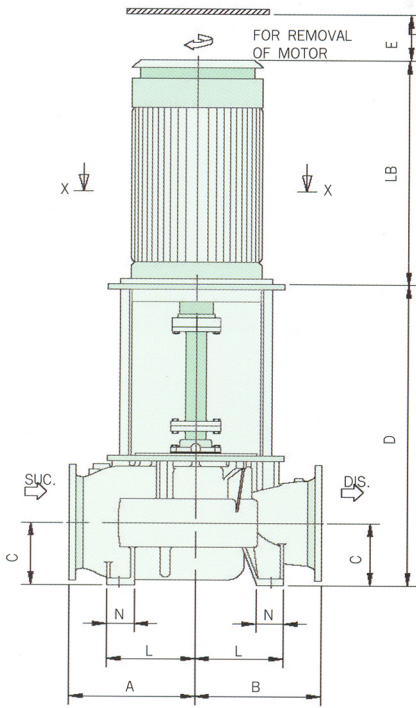


Double Suction 양흡입(60Hz)



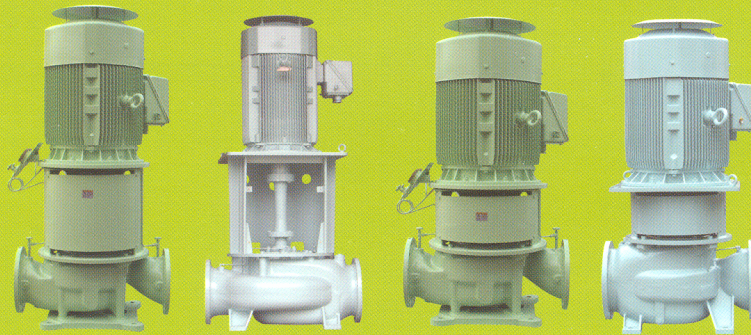
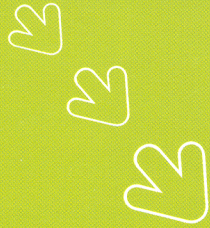
외형치수도

Outline dimensions



Dimensions : mm

Model	Bore		A	B	C	D	E	G	LB	L	N	O	P	T	Z	AC	V1	V2
	Suc.	Dis.																
MDS 300C	300	300	420	420	250	1220	250	50	985	295	105	800	250	25	28	570	410	320
MDS 300D	300	250	450	450	250	1240	250	50	1200	320	110	900	270	28	28	570	410	320
MDS 350C	350	350	430	430	270	1265	250	50	1070	310	105	800	265	28	33	570	410	330
MDS 400C	400	400	550	550	290	1425	250	60	1510	385	120	1100	330	30	33	600	500	430
MDS 500C	500	500	730	730	380	1675	250	80	1810	-	-	1200	-	35	-	700	530	510



SHIN SHIN MACHINERY CO., LTD.

Head Office & Factory

940-13 Yerimri, Chongwan, Gijang, Pusan, Korea.

Phone : (051)727-5300~4, 727-5290~2

Telefax: (051)727-5305~6

Seoul Office

Phone : (02)752-8419/8403, 778-8832

Telefax: (02)755-3156

