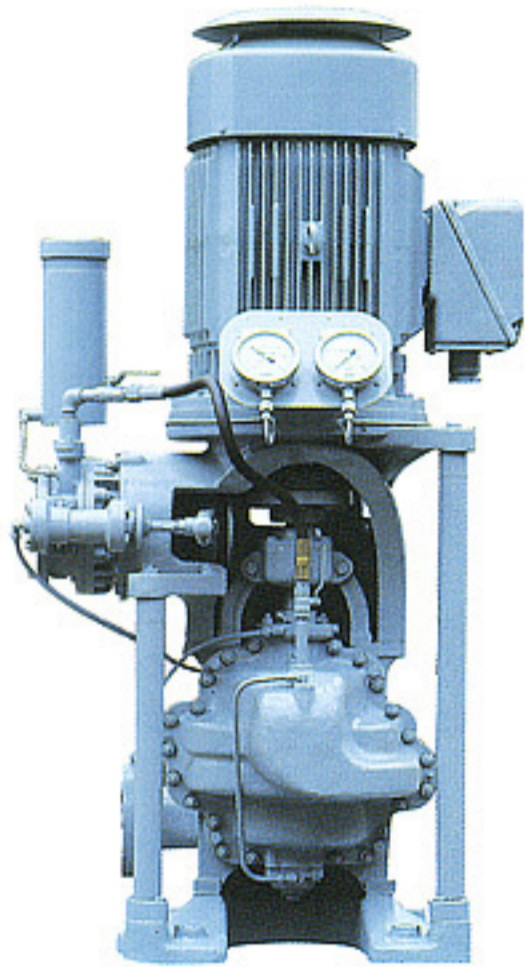


# SHIN SHIN MARINE



 SHIN SHIN MACHINERY CO., LTD.



### ■ Applications

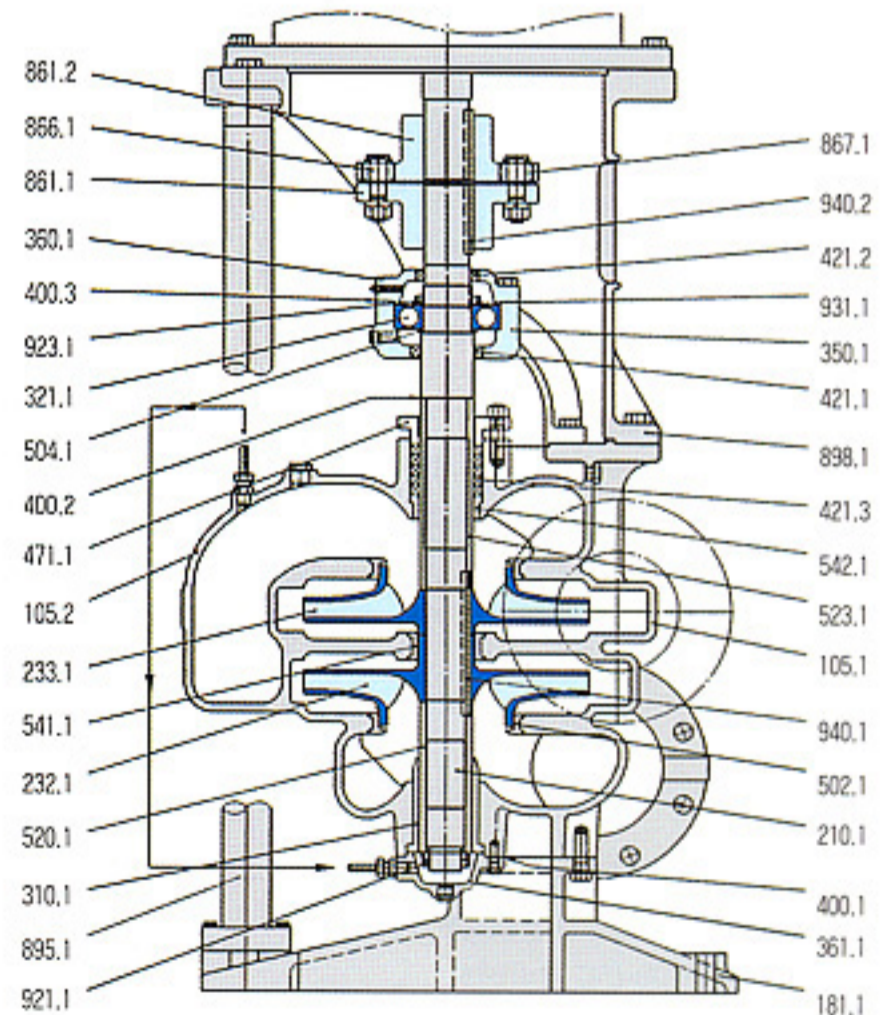
- Fire and general service pump
- Piston cooling fresh water pump
- Others

### ■ Principal Particulars

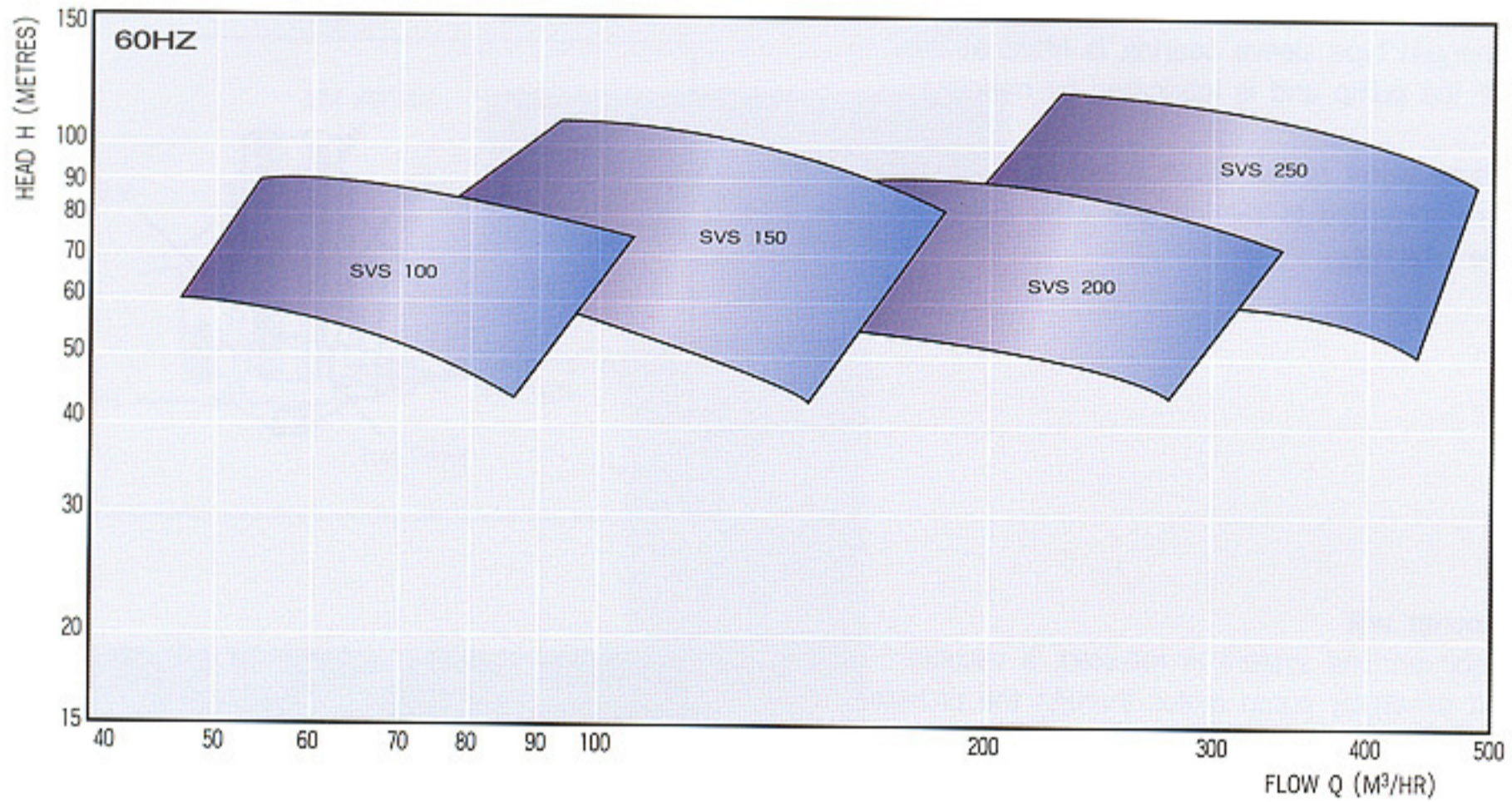
Item	Model	SVS 100	SVS 150	SVS 200	SVS 250
Rotation		Clockwise viewed from driver end			
Suction bore	(mm)	100	150	200	250
Discharge bore	(mm)	100	150	200	250
Stuffing box seal		Gland packing or mechanical seal			
Weight	GC(BC) (kg)	520(565)	640(695)	720(780)	850(925)

### ■ Standard Materials

Part No.	Name Of Part	REQ. NO. FOR 1PUMP	For Fresh Water		For Sea Water	
			Name	KS	Name	KS
105.1	CASING HALF	1	CAST IRON	GC200	BRONZE	BC6
105.2	CASING HALF	1	CAST IRON	GC200	BRONZE	BC6
181.1	PUMP STOOL	1	CAST IRON	GC200	CAST IRON	GC200
210.1	SHAFT	1	STAINLESS STEEL	STS304	STAINLESS STEEL	STS304
232.1	CLOCKWISE IMPELLER	1	PHOSPHOR BRONZE	PBC2	PHOSPHOR BRONZE	PBC2
233.1	COUNTER CLOCKWISE IMPELLER	1	PHOSPHOR BRONZE	PBC2	PHOSPHOR BRONZE	PBC2
310.1	SLEEVE BEARING	1	LEADED TIN BRONZE	LBC4	LEADED TIN BRONZE	LBC4
321.1	BALL BEARING	1	BEARING STEEL	STB2	BEARING STEEL	STB2
350.1	BEARING HOUSING	1	CAST IRON	GC200	CAST IRON	GC200
360.1	BEARING COVER	1	CAST IRON	GC200	CAST IRON	GC200
361.1	BEARING END COVER	1	CAST IRON	GC200	BRONZE	BC6
400.1	GASKET	1	NON ASBESTOS		NON ASBESTOS	
400.2	GASKET	1	NON ASBESTOS		NON ASBESTOS	
400.3	GASKET	1	OIL PAPER		OIL PAPER	
421.1	OIL SEAL	1	NBR		NBR	
421.2	OIL SEAL	1	NBR		NBR	
452.1	PACKING GLAND	1	CAST IRON	GC200	BRONZE	BC6
461.1	PACKING	5	NON METALLIC		NON METALLIC	
502.1	CASING WEAR RING	2	BRONZE		BRONZE	
504.1	SPACER RING	1	CARBON STEEL	SM45C	CARBON STEEL	SM45C
520.1	SLEEVE	1	STAINLESS STEEL	STS304	STAINLESS STEEL	STS304
523.1	SHAFT SLEEVE	1	STAINLESS STEEL	STS304	STAINLESS STEEL	STS304
541.1	INTERSTAGE BUSH	1	BRONZE	BC6	BRONZE	BC6
542.1	THROTTLING BUSH	1	BRONZE	BC6	BRONZE	BC6
861.1	COUPLING HALF	1	CAST IRON	GC200	CAST IRON	GC200
861.2	COUPLING HALF	1	CAST IRON	GC200	CAST IRON	GC200
866.1	COUPLING BOLT, NUT & WASHER	1ST	STEEL	SS41	STEEL	SS41
867.1	COUPLING RUBBER BUSH	1ST	NBR		NBR	
895.1	SUPPORT TRESTLE	2	STEEL	SS41	STEEL	SS41
898.1	MOTOR FRAME	1	CAST IRON	GC200	CAST IRON	GC200
921.1	SHAFT NUT	2	STAINLESS STEEL	STS304	STAINLESS STEEL	STS304
923.1	BEARING NUT	1	STEEL	SS41	STEEL	SS41
931.1	BEARING LOCK WASHER	1	STEEL	SS41	STEEL	SS41
940.1	IMPELLER KEY	1	STAINLESS STEEL	STS304	STAINLESS STEEL	STS304
940.2	COUPLING KEY	1	CARBON STEEL	SM45C	CARBON STEEL	SM45C



■ Selection Chart

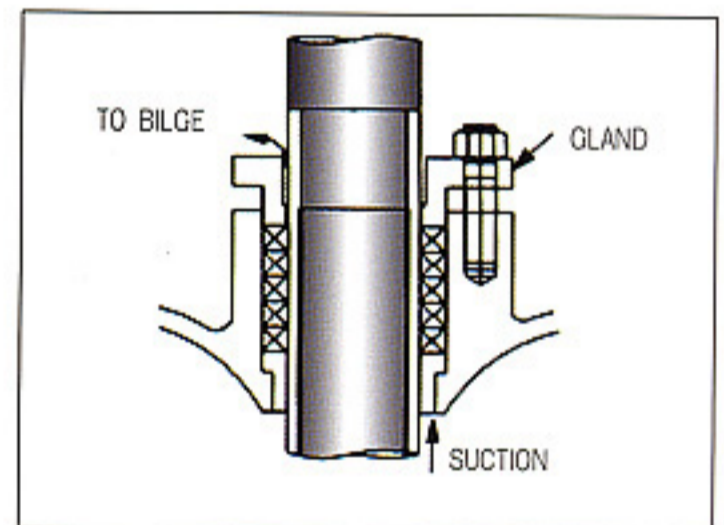


■ Stuffing Box Seal

The stuffing box is fitted with gland packing but a mechanical seal can be fitted if customer requires it to eliminate gland adjustment

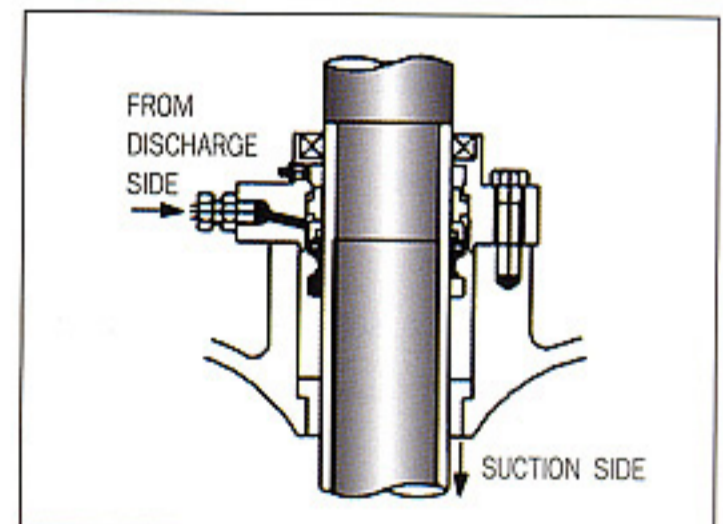
**Fitted with gland packing**

Sealing water is led to the stuffing box passing through throttle bush some of water is drained to bilge after sealing gland packing.



**Fitted with mechanical seal**

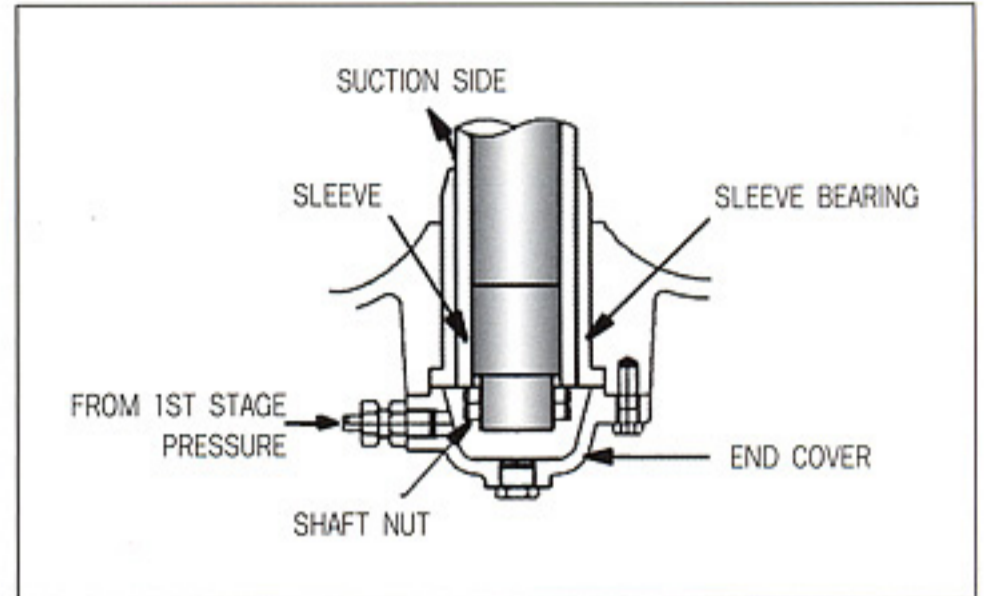
Flushing water is led to the stuffing box from the discharge side after removing foreign matter, and returned to the suction side through throttle bush after flushing mechanical seal.



### Sleeve bearing & lubrication

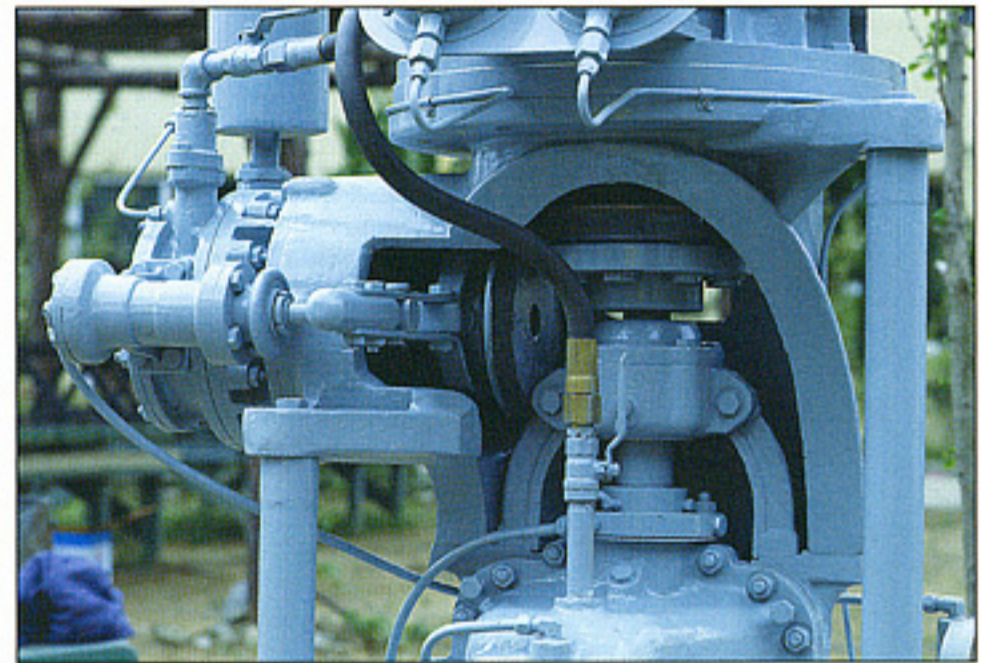
The submerged type sleeve bearing is fitted at the bottom of the pump and is lubricated by handling water.

The pressure water of 1st stage is led to sleeve bearing and returned to suction side after lubricating the sleeve bearing..



### Vacuum pump unit

When a self priming system is required, a vacuum pump unit driven by pump motor through the provided clutch. During the pump operation, vacuum pump is stopped automatically by releasing the clutch in accordance with the handling water pressure.

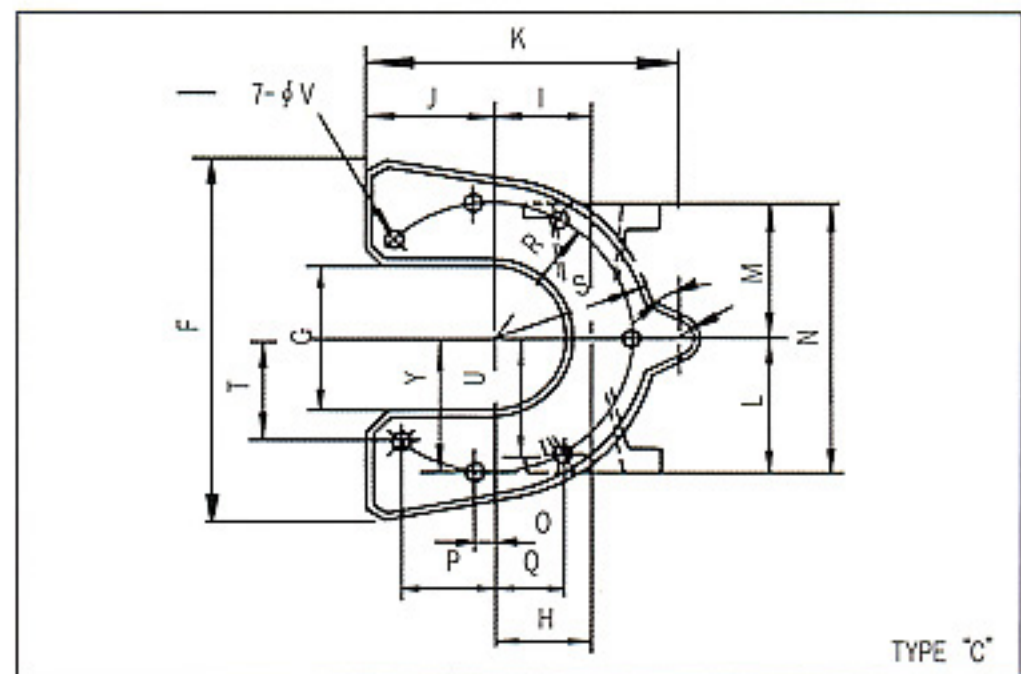
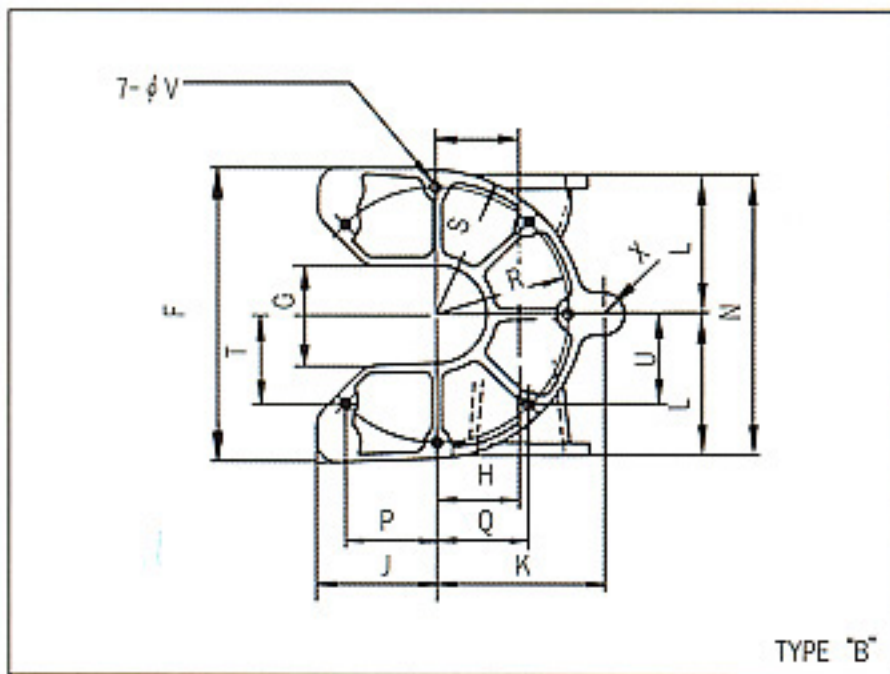
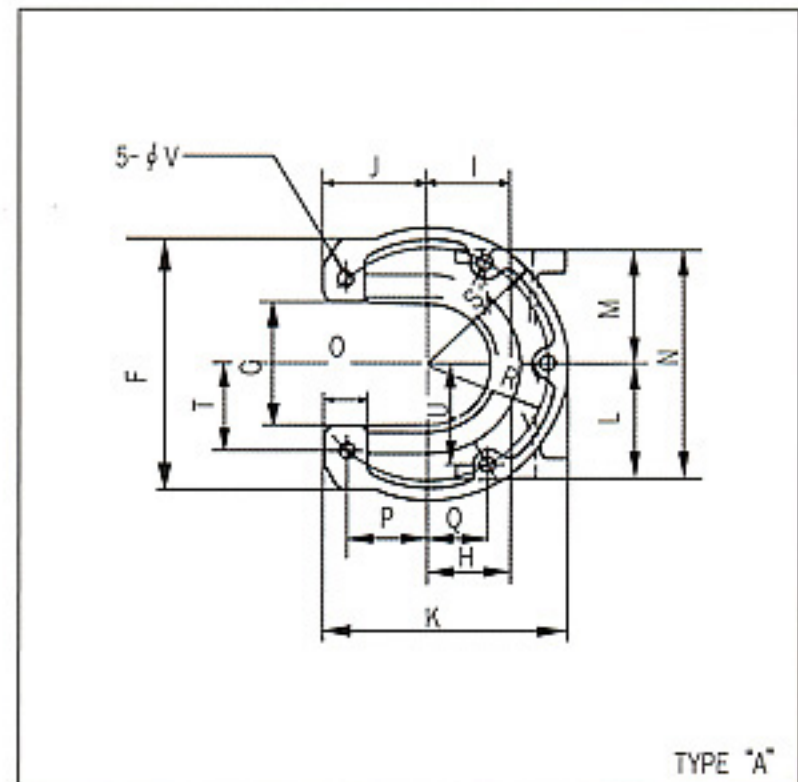
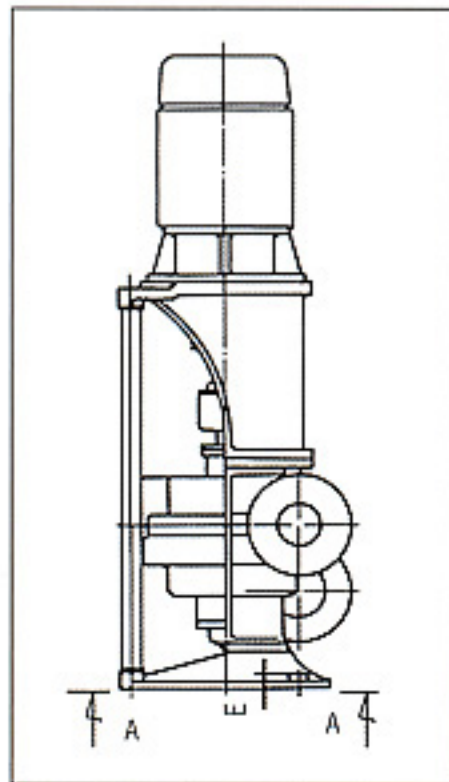
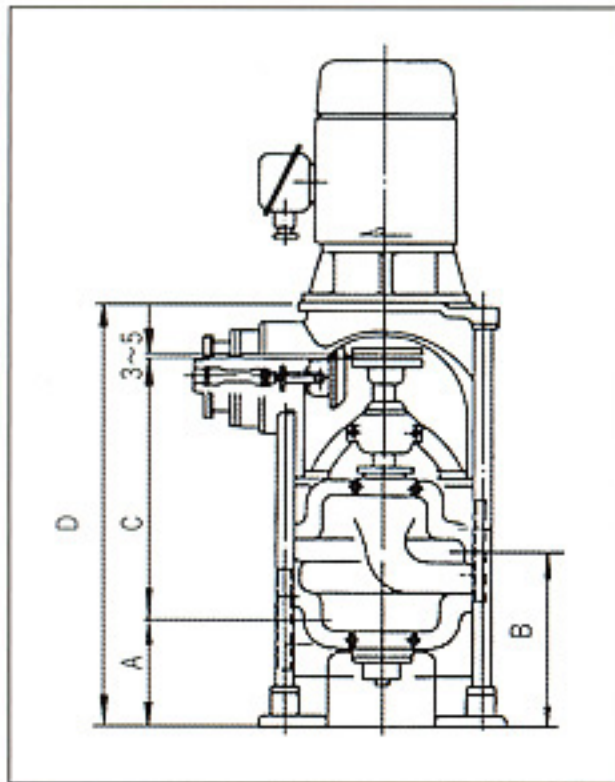


### Standard Accessories

Discharge pressure gauge .....	1
Suction compound gauge .....	1
Gauge board .....	1
Gauge root valve .....	2
Sealing pipe .....	1 set
Return pipe .....	1
Vacuum unit(for self priming pump).....	1 set

### Standard Spare Parts

- 1 pump set of the following spare is supplied for 1 ship.
- Gland packing or mechanical seal
- Coupling bolt, nut & washer, rubber ring
- Complete set of rotating element(if required)



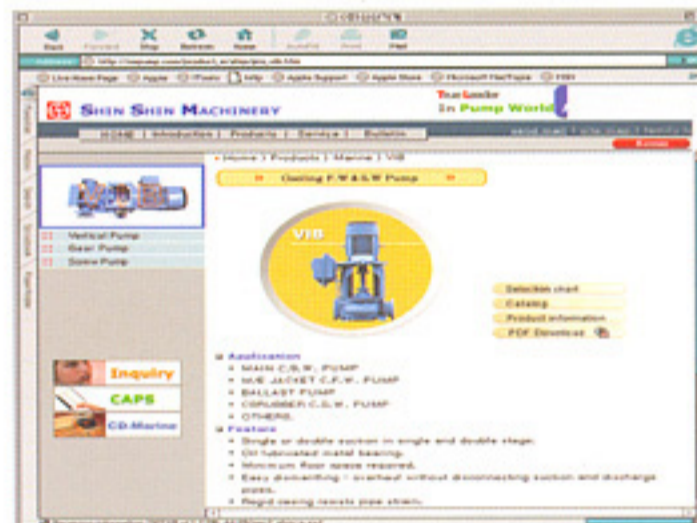
Model	Type	Bore		Size(mm)													
		SUC	DIS	A	B	C	D	E	F	G	H	I	J	K	L	M	N
SVS 100	A	100	100	220	280	593	926	64	590	240	170	170	240	500	320	270	570
SVS 150	B	150	150	283	480	727	1154	50	780	260	180	210	300	410	400	350	750
SVS 200	C	200	200	332	594	848	1407	112	780	340	220	220	303	713	320	340	660
SVS 200F	C	200	200	333	581	852	1355	60	760	372	245	220	300	710	350	350	700
SVS 250	B	250	250	380	670	989	1544	60	850	360	245	255	455	970	430	860	
SVS 250F	B	250	250	400	750	1030	1600	60	1080	430	255	245	520	550	450	450	900

Model	Type	Size(mm)										Sealing size	
		O	P	Q	R	S	T	U	V	X	Y	Gland Packing	M/Seal
SVS 100	A	80	184	130	260	310	184	225.17	23	-	-	φ 52X φ 76X/1/2"	50
SVS 150	B	-	229.8	229.8	325	360	229.8	229.8	28	55	-	φ 65X φ 90X/1/2"	65
SVS 200	C	55.5	226	183.6	320	360	226	262.1	28	60	315.1	φ 70X φ 95X/3/4"	70
SVS 200F	C	55.5	226	183.5	320	360	226	262	28	55	315	φ 70X φ 95X/3/4"	70
SVS 250	B	-	297	297	420	460	297	297	28	55	-	φ 80X φ 105X/1/2"	80
SVS 250F	B	-	297	297	420	460	297	297	28	55	-	φ 80X φ 105X/1/2"	80



Homepage : <http://www.sspump.com>

E-mail : [sales@sspump.com](mailto:sales@sspump.com)



## SHIN SHIN MACHINERY CO., LTD.

### Head Office & Factory

940-13 Yerim-ri, Chongwan-Myen, Gijang-Gun, Pusan, Korea.

Phone : (051) 727-5300~4

Telefax: (051) 727-5305~8

### Seoul Office

Phone : +82-2-752-8419/8403, 778-8832

Telefax: -82-2-755-3156