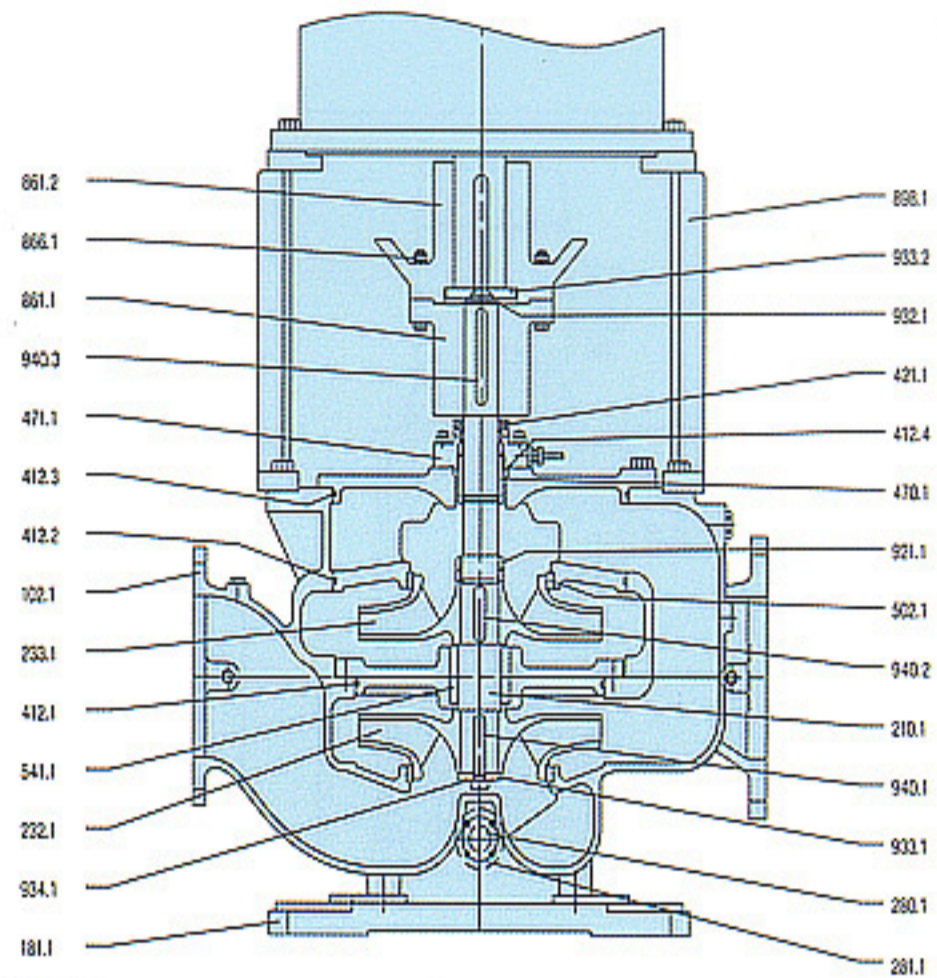


SHIN SHIN MARINE



 SHIN SHIN MACHINERY CO., LTD.



- **Applications**
 Fire and general service pump
 Piston cooling
 fresh water pump
 Others

■ **Principal Particulars**

| Item | Model | SVF 150 | SVF 200F |
|-------------------|-------------|----------------------------------|----------|
| Rotation | | Clockwise viewed from driver end | |
| Suction bore | (mm) | 150 | 200 |
| Discharge bore | (mm) | 150 | 200 |
| Stuffing box seal | | Gland packing or mechanical seal | |
| Weight | GC(BC) (kg) | 420(445) | 710(760) |

■ **Standard Materials**

| Part No. | Name Of Part | REQ. NO. FOR PUMP | For Fresh Water | | For Sea Water | |
|----------|-----------------------------|-------------------|-------------------|--------|-------------------|--------|
| | | | Name | KS | Name | KS |
| 102.1 | VOLUTE CASING | 1 | CAST IRON | GC200 | BRONZE | BC6 |
| 181.1 | PUMP STOOL | 1 | CAST IRON | GC200 | CAST IRON | GC200 |
| 210.1 | SHAFT | 1 | STAINLESS STEEL | STS304 | STAINLESS STEEL | STS304 |
| 232.1 | CLOCKWISE IMPELLER | 1 | PHOSPHOR BRONZE | PBC2 | PHOSPHOR BRONZE | PBC2 |
| 233.1 | COUNTER CLOCKWISE IMPELLER | 1 | PHOSPHOR BRONZE | PBC2 | PHOSPHOR BRONZE | PBC2 |
| 280.1 | BLIND COVER | 1 | STAINLESS STEEL | STS304 | STAINLESS STEEL | STS304 |
| 281.1 | CORROSION PLATE | 1 | | | ZINC | Zn |
| 412.1 | O-RING | 1 | NBR | | NBR | |
| 412.2 | O-RING | 1 | NBR | | NBR | |
| 412.3 | O-RING | 1 | NBR | | NBR | |
| 412.4 | O-RING | 1 | NBR | | NBR | |
| 421.1 | OIL SEAL | 1 | NBR | | NBR | |
| 470.1 | MECHANICAL SEAL | 1 | | | | |
| 471.1 | SEAL COVER | 1 | STAINLESS STEEL | STS304 | STAINLESS STEEL | STS304 |
| 502.1 | CASING WEAR RING | 2 | BRONZE | BC6 | BRONZE | BC6 |
| 541.1 | INTERSTAGE BUSH | 1 | LEADED TIN BRONZE | LBC4 | LEADED TIN BRONZE | LBC4 |
| 861.1 | COUPLING HALF | 1 | CAST IRON | GC200 | CAST IRON | GC200 |
| 861.2 | COUPLING HALF | 1 | CAST IRON | GC200 | CAST IRON | GC200 |
| 866.1 | COUPLING BOLT, NUT & WASHER | 1st | DISSIMILAR METAL | SCM440 | DISSIMILAR METAL | SCM440 |
| 898.1 | MOTOR FRAME | 1 | STEEL | SS400 | STEEL | SS400 |
| 921.1 | SHAFT NUT | 2 | STAINLESS STEEL | STS304 | STAINLESS STEEL | STS304 |
| 932.1 | RETAINING RING(C type) | 1 | CARBON TOOL STEEL | SK 5M | CARBON TOOL STEEL | SK 5M |
| 933.1 | IMPELLER RETAINING WASHER | 1 | STAINLESS STEEL | STS304 | STAINLESS STEEL | STS304 |
| 933.2 | COUPLING RETAINING WASHER | 1 | STEEL | SS400 | STEEL | SS400 |
| 934.1 | LOCK WASHER | 1 | STAINLESS STEEL | STS304 | STAINLESS STEEL | STS304 |
| 940.1 | IMPELLER KEY | 1 | STAINLESS STEEL | STS304 | STAINLESS STEEL | STS304 |
| 940.2 | IMPELLER KEY | 1 | STAINLESS STEEL | STS304 | STAINLESS STEEL | STS304 |
| 940.3 | COUPLING KEY | 1 | CARBON STEEL | SM45C | CARBON STEEL | SM45C |

■ **Stuffing Box Seal**

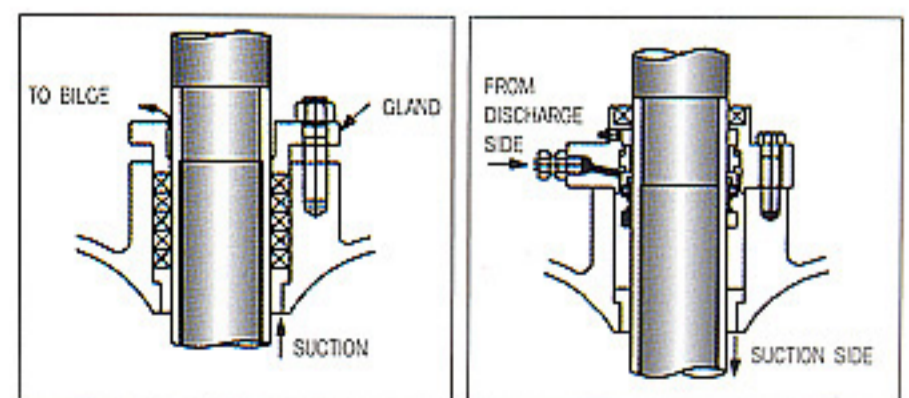
The stuffing box is fitted with gland packing but a mechanical seal can be fitted if customer requires it to eliminate gland adjustment

Fitted with gland packing

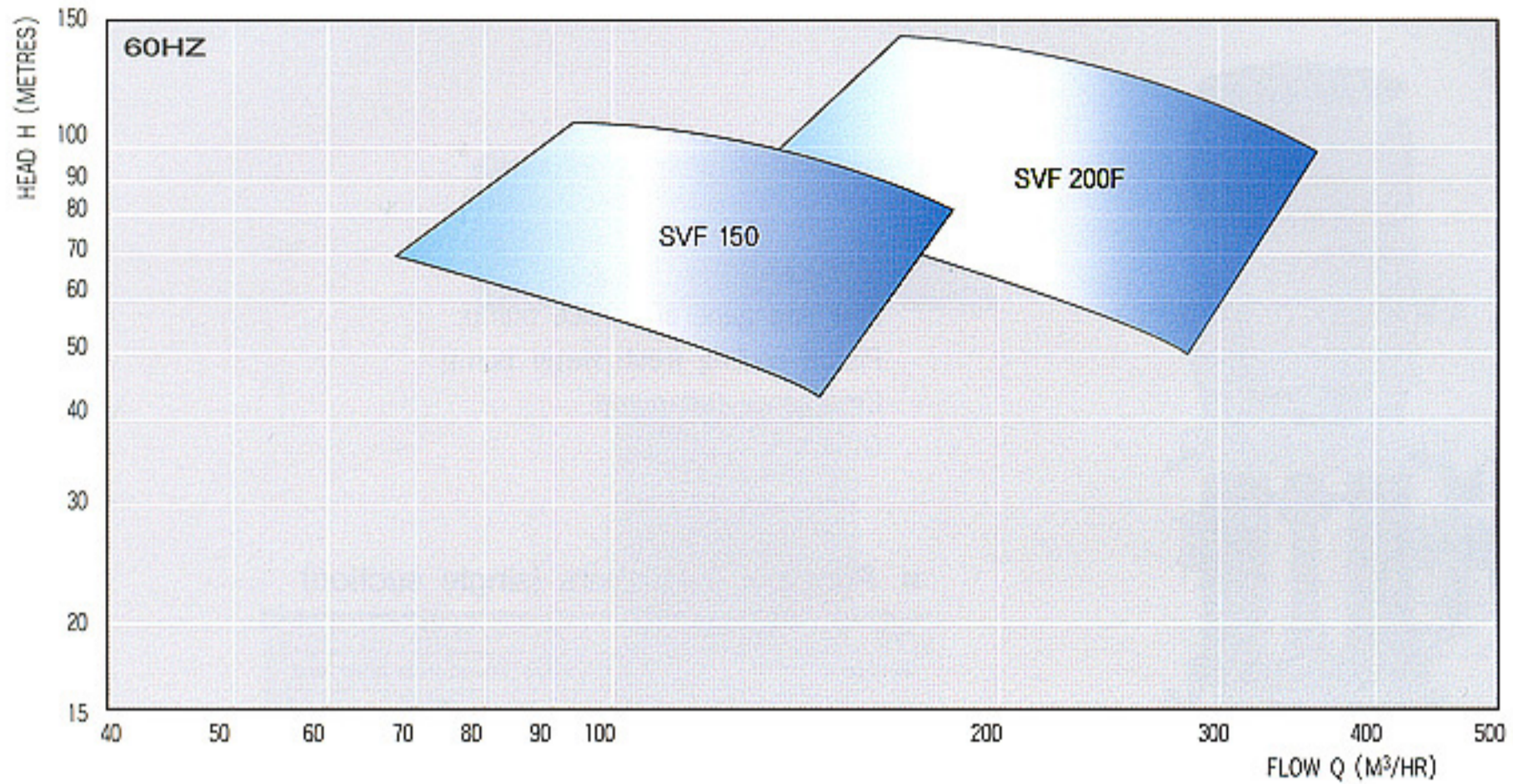
Sealing water is led to the stuffing box passing through throttle bush some of water is drained to bilge after sealing gland packing.

Fitted with mechanical seal

Flushing water is led to the stuffing box from the discharge side after removing foreign matter, and returned to the suction side through throttle bush after flushing mechanical seal.



■ Selection Chart



Vacuum pump unit

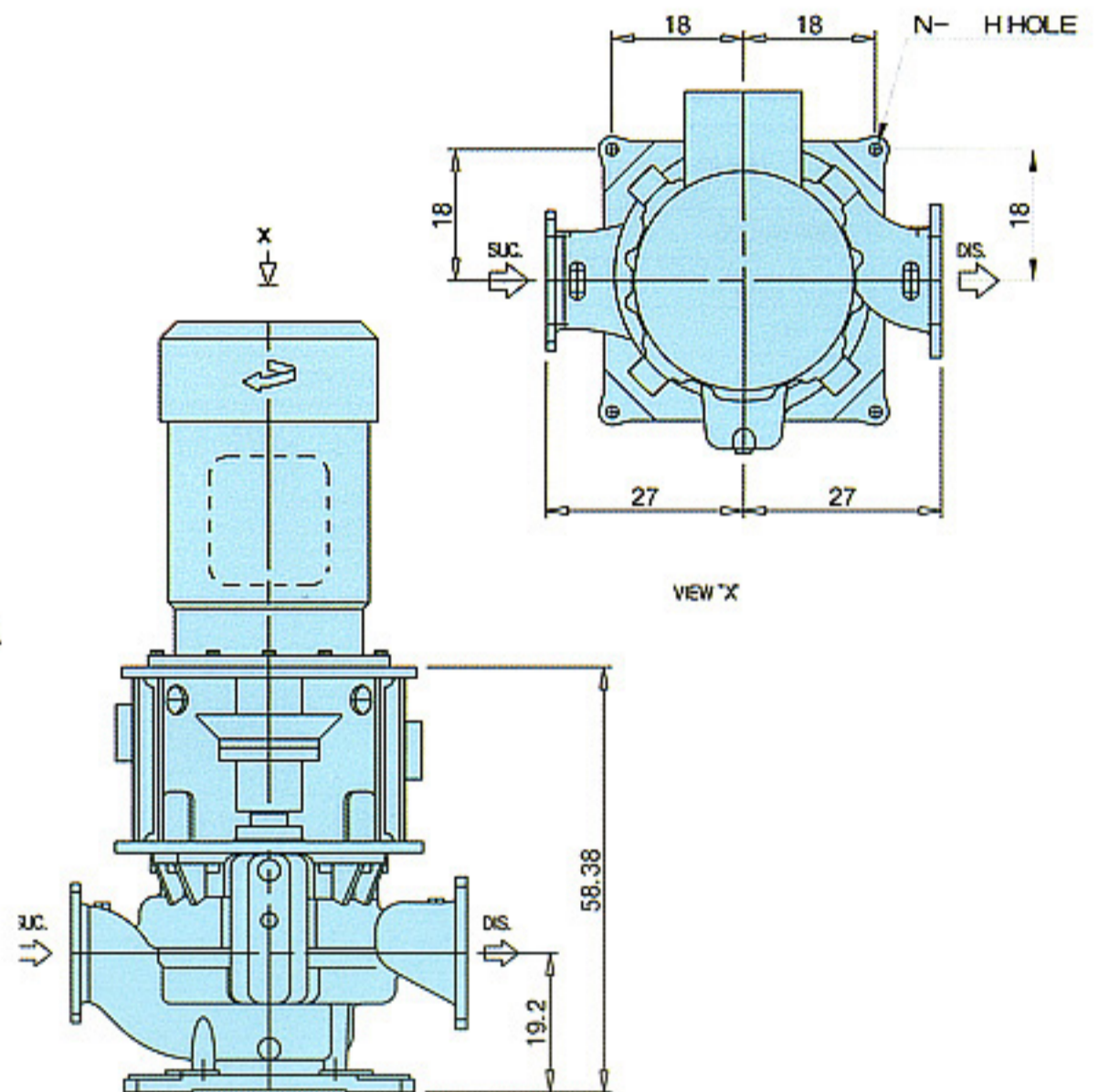
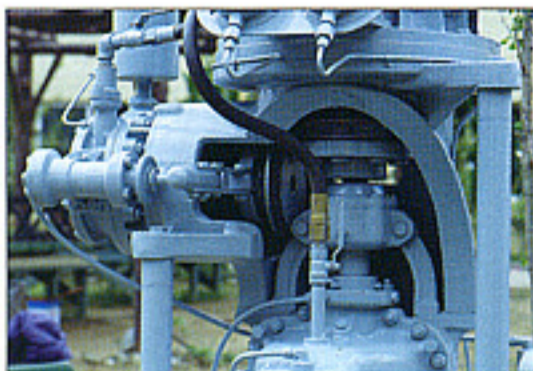
When a self priming system is required, a vacuum pump unit driven by pump motor through the provided clutch. During the pump operation, vacuum pump is stopped automatically by releasing the clutch in accordance with the handling water pressure.

■ Standard Accessories

- Discharge pressure gauge 1
- Suction compound gauge 1
- Gauge board 1
- Gauge root valve 2
- Sealing pipe 1 set
- Return pipe 1
- Vacuum unit(for self priming pump) 1 set

■ Standard Spare Parts

1pump set of the following spare is supplied for 1ship.
 Gland packing or mechanical seal
 Coupling bolt, nut & washer, rubber ring
 Complete set of rotating element(if required)

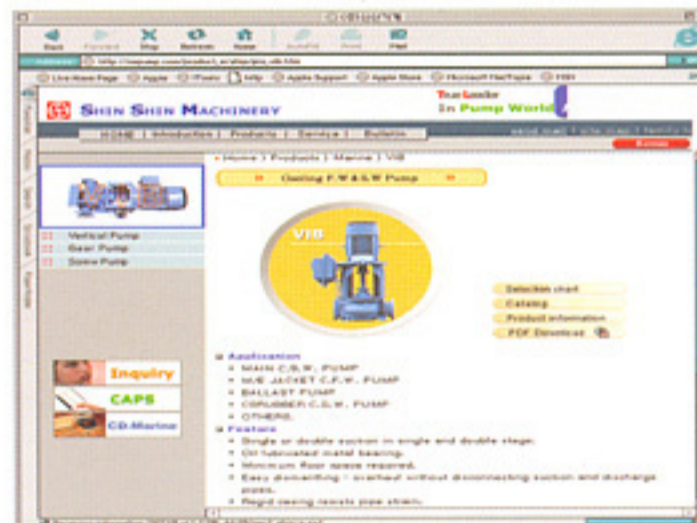


| Model | Bore | | Size(mm) | | | | | |
|----------|------|-----|----------|-----|-----|-----|-----|-----|
| | SUC | DIS | A | B | C | E | N | H |
| SVF 150 | 100 | 100 | 220 | 220 | 220 | 220 | 220 | 220 |
| SVF 200F | 200 | 200 | 332 | 332 | 332 | 332 | 332 | 332 |



Homepage : <http://www.sspump.com>

E-mail : sales@sspump.com



SHIN SHIN MACHINERY CO., LTD.

Head Office & Factory

940-13 Yerim-ri, Chongwan-Myen, Gijang-Gun, Pusan, Korea.

Phone : (051) 727-5300~4

Telefax: (051) 727-5305~8

Seoul Office

Phone : +82-2-752-8419/8403, 778-8832

Telefax: -82-2-755-3156