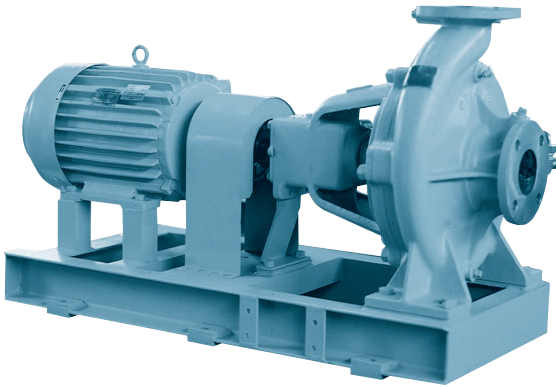


# CENTRIFUGAL PUMP

## EHC



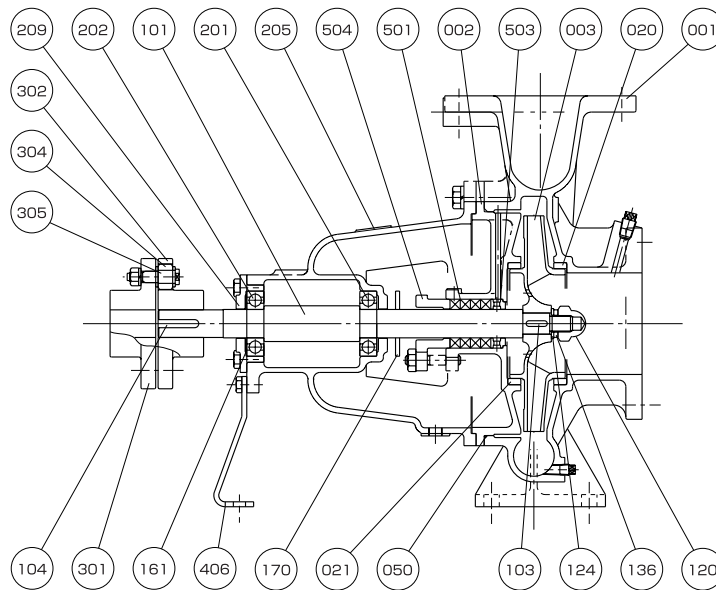
### Application

Cooling Fresh Water  
Cooling Sea Water  
Sea Water Service

### Feature

Horizontal Single-stage Single-suction

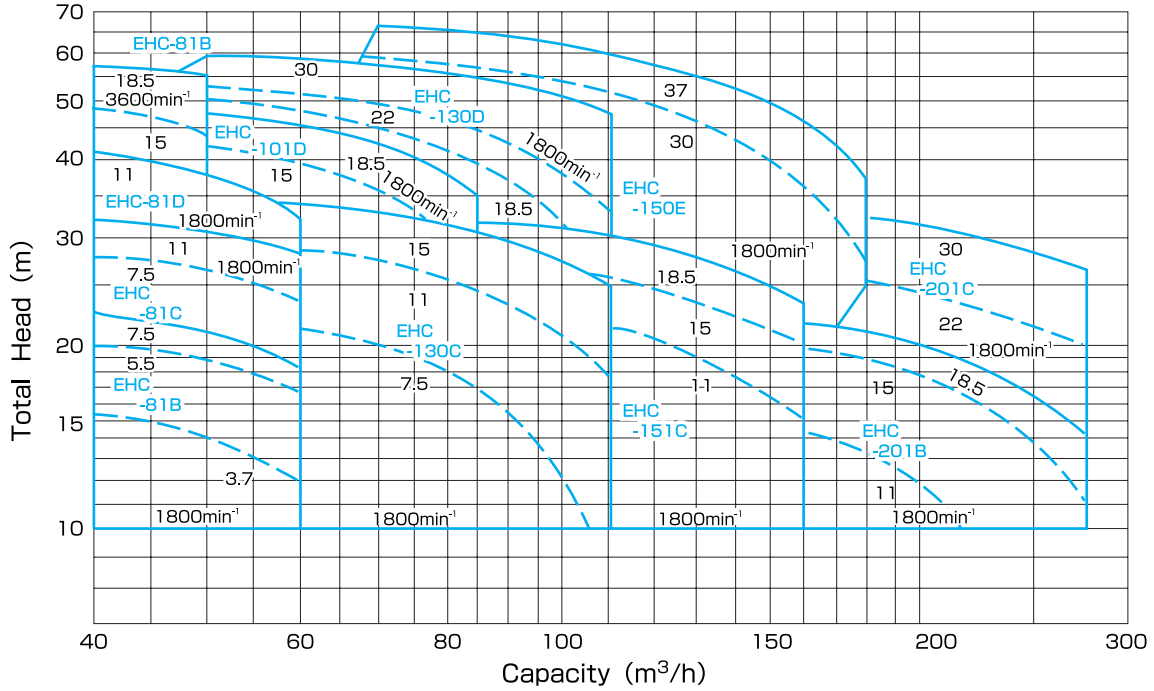
### Structure & Material



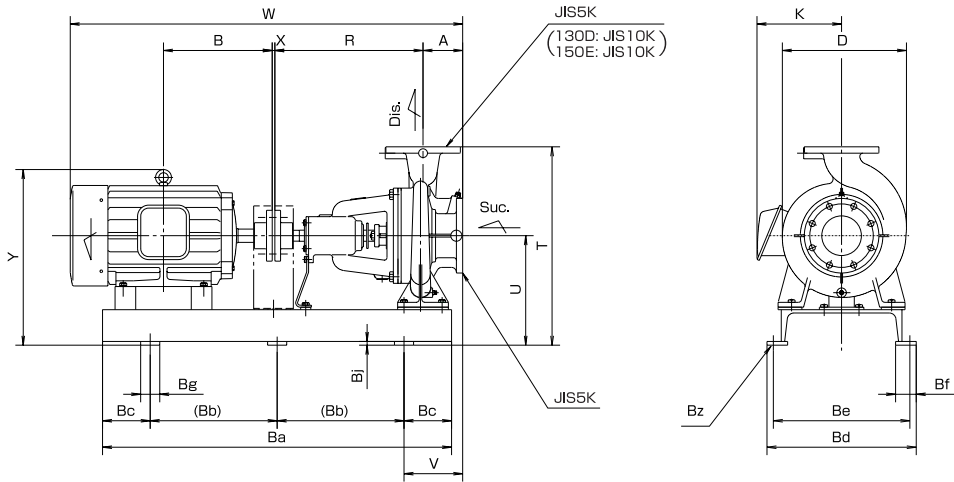
Part No.	Name	Req. No.	Sea Water		Fresh Water	
			Material	JIS	Material	JIS
001	CASING	1	BRONZE	CAC402	CAST IRON	FC200
002	CASING COVER	1	BRONZE	CAC402	CAST IRON	FC200
003	IMPELLER	1	PHOSPHOR BRONZE	CAC502A	PHOSPHOR BRONZE	CAC502A
020	CASING RING	1	BRONZE	CAC402	BRONZE	CAC402
021	CASING RING	1	BRONZE	CAC402	BRONZE	CAC402
050	O-RING	1	RUBBER	NBR	RUBBER	NBR
101	SHAFT	1	STAINLESS STEEL	SUS304	STAINLESS STEEL	SUS304
103	IMPELLER KEY	1	STAINLESS STEEL	SUS304	STAINLESS STEEL	SUS304
104	COUPLING KEY	1	CARBON STEEL	S45C	CARBON STEEL	S45C
120	IMPELLER NUT	1	STAINLESS STEEL	SUS304	STAINLESS STEEL	SUS304
124	IMPELLER WASHER	1	STAINLESS STEEL	SUS304	STAINLESS STEEL	SUS304
136	SPRING WASHER	1	STAINLESS STEEL	SUS304	STAINLESS STEEL	SUS304
161	RETAINING RING	1	SPRING STEEL	SUP6	SPRING STEEL	SUP6

Part No.	Name	Req. No.	Sea Water		Fresh Water	
			Material	JIS	Material	JIS
170	FLINGER	1	RUBBER	NBR	RUBBER	NBR
201	BALL BEARING	1	BEARING STEEL	SUJ2	BEARING STEEL	SUJ2
202	BALL BEARING	1	BEARING STEEL	SUJ2	BEARING STEEL	SUJ2
205	BEARING HOUSING	1	CAST IRON	FC200	CAST IRON	FC200
209	BEARING COVER	1	CAST IRON	FC200	CAST IRON	FC200
301	COUPLING	1	CAST IRON	FC200	CAST IRON	FC200
302	COUPLING	1	CAST IRON	FC200	CAST IRON	FC200
304	COUPLING RING	8	RUBBER	NBR	RUBBER	NBR
305	COUPLING BOLT & NUT	8	MILD STEEL	SS400	MILD STEEL	SS400
406	SUPPORT	1	MILD STEEL	SS400	MILD STEEL	SS400
501	GLAND PACKING	4	CARBONIZED FIBER	-	CARBONIZED FIBER	-
503	LANTERN RING	1	BRONZE	CAC402	BRONZE	CAC402
504	GLAND	4	BRONZE	CAC402	BRONZE	CAC402

## Performance



## Dimension



Model No.	Motor		Bore		Dimension (mm)																					
	kW	min <sup>-1</sup>	Suc.	Dis.	A	B	D	K	R	T	U	V	W	X	Y	Ba	Bb	Bc	Bd	Be	Bf	Bg	Bj	Bz		
EHC-81B	3.7	1800	80	80	100	200	326	212	360	515	290	165	861	3	436	800	500	150	390	350	65	60	12	4-φ15		
	5.5					239		917					448													
	7.5					258		956					448		900										550	175
	15					323		1071					520		1000										700	150
	18.5					345		1113					520		1000										700	150
EHC-81C	7.5	1800	80	80	100	258	364	245	470	570	320	160	1066	3	478	1000	350	150	470	430	65	60	12	6-φ19		
	11					323		1181					550		1100										400	
EHC-81D	11	1800	80	80	125	323	413	285	470	625	345	185	1206	3	575	1100	400	150	470	430	65	60	12	6-φ19		
EHC-101D	15	1800	100	100	125	345	413	285	470	685	370	185	1248	3	600	1100	400	150	470	430	65	60	12	6-φ19		
	18.5					351.5		330					1260		630											
EHC-130C	7.5	1800	125	125	125	258	390	245	470	625	345	185	1091	3	503	1000	350	150	470	430	65	60	12	6-φ19		
	11					323		1206					575		1100										400	
	15					345		1248					575		1100										400	
EHC-130D	18.5	1800	125	100	140	351.5	440	330	575	685	370	200	1380	3	630	1200	450	150	470	430	65	60	12	6-φ19		
	22					370.5		1419					630		1200										450	
	30					323		1221					630		1200										450	
EHC-151C	11	1800	150	150	140	345	427	285	470	625	345	200	1221	3	575	1100	400	150	470	430	65	60	12	6-φ19		
	15					323		1263					605		1100										400	
	18.5					351.5		1275					605		1100										400	
EHC-150E	30	1800	150	125	140	370.5	576	330	530	865	465	170	1374	3	725	1300	500	150	550	500	65	60	12	6-φ24		
	37					425.5		1455					725		1300										500	
EHC-201B	11	1800	200	200	140	323	450	285	470	685	370	200	1221	3	600	1100	400	150	470	430	65	60	12	6-φ19		
	15					345		1263					630		1100										400	
	18.5					351.5		1275					630		1100										400	
EHC-201C	22	1800	200	200	140	351.5	475	330	470	725	370	200	1275	3	630	1100	400	150	470	430	65	60	12	6-φ19		
	30					370.5		1314					630		1200										450	