



3 SCREW PUMP MST



大晃機械工業株式会社
TAIKO KIKAI INDUSTRIES CO., LTD.

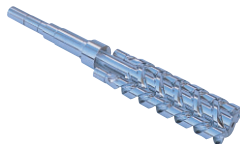
特長

Feature

MSTシリーズは、一般用電動縦形低圧3軸ねじポンプです。

MST series is motor driven vertical low pressure 3 screw pumps.

- ねじ：1本の主ねじとこれに油圧駆動される2本の従ねじの三軸のねじで構成されています。



- This pump is composed of two idler rotors meshed with a power rotor which are cased in a sleeve. The idler rotors are driven by the liquid pressure.

仕様

Specification

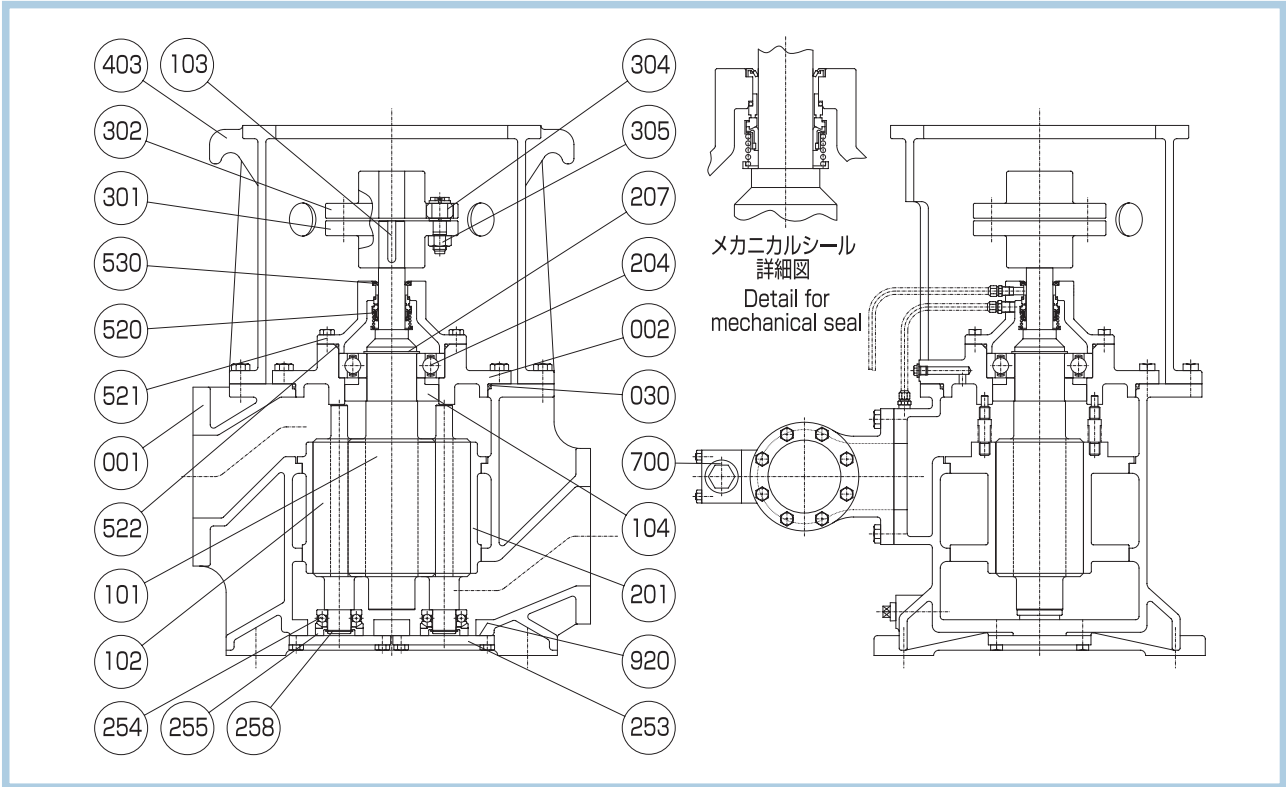
- 温度：取扱い油温は、最高80℃です。
- 軸受：内装軸受式で揚液による自己潤滑方式のため、潤滑性を有する液に適します。
- 軸封：メカニカルシールが標準です。
- フランジ：吸込みJIS5K、吐出しJIS10Kです。
- 軸芯：ポンプと電動機との軸継手の芯振れの許容範囲は、回転速度2000～500min⁻¹において、軸継手側面で0.1mm以下、軸継手端で0.1mm以下です。
- 耐圧試験：計画仕様圧力の2倍が標準です。最高2.00MPaです。
- 吐出し量：吐出し量は、吐出圧力0.80MPa、粘度25.8mm²/sにおける量です。許容吸込圧力範囲は、ポンプ入口において-0.05～0.20MPaです。

- **Temperature** : Maximum handling oil temperature is 80℃.
- **Bearing** : Internal bearing is self-lubricated by pumping liquid which is suitable to serve lubricant fluids.
- **Shaft Seal** : The mechanical seal is our standard.
- **Frang** : Suction is JIS5K and discharge is JIS10K.
- **Centering** : If connecting the pump with the motor, the standard allowable alignment value at the rate of 2000～500min⁻¹ at the shaft coupling side surface should be under 0.1mm and at the shaft coupling end surface should be under 0.1mm.
- **Hydraulic Test** : Twice the value of the designed specification pressure with a maximum value of 2.00MPa.
- **Capacity** : The following capacity shows at viscosity of 25.8mm²/s with discharge pressure of 0.80MPa. The allowable suction pressure range is -0.05～0.20MPa at the pump suction.

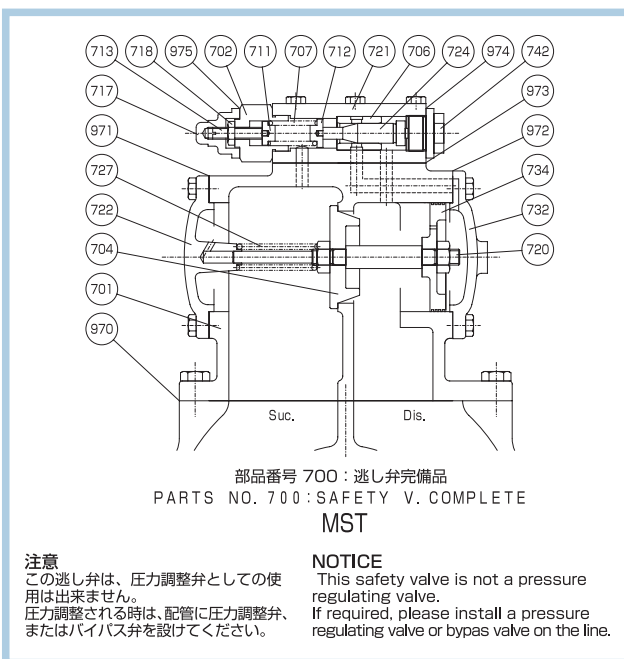
形式 Model No.	口径 Bore (mm) 吸込み×吐出し Suc.× Dis.	吐出し量 Capacity (m ³ /h)			
		60Hz		50Hz	
		1800min ⁻¹	1200min ⁻¹	1500min ⁻¹	1000min ⁻¹
MST- 30T	150×125	30		20	
MST- 40T		40		30	
MST- 50T		50		45	
MST- 65T	150×125	65		55	
MST- 80T		80		65	
MST- 90T		90		75	
MST-100T	200×150	100		85	
MST-110T		110		90	
MST-120T		120		105	
MST-135T	250×200	135	85	115	70
MST-150T		150	95	125	75
MST-165T		165	100	135	80
MST-180T	250×200	180	110	140	90
MST-200T		200	130	160	105
MST-225T		225	150	180	120
MST-250T	300×250	250	160	200	130
MST-270T		270	170	220	140
MST-300T		300	200	250	160

構造及び材質

Structure and Material



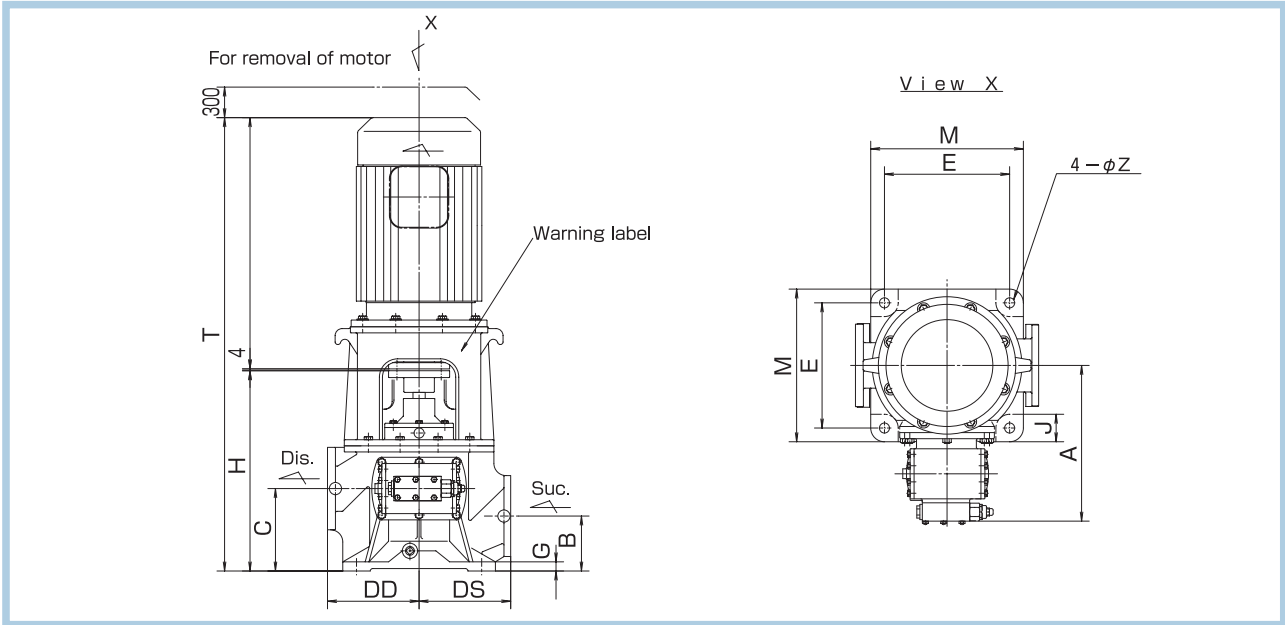
No.	Name	Material		Q' ty	No.	Name	Material		Q' ty
		Symbol	Name of Material				Symbol	Name of Material	
001	Casing	FC200	Cast iron	1	258	Retaining ring	SK5	Carbon tool steel	2
002	Casing cover	FC200	Cast iron	1	301	Coupling	FC200	Cast iron	1
030	O-ring	NBR	Rubber	1	302	Coupling	FC200	Cast iron	1
101	Power rotor	S45C	Carbon steel	1	304	Coupling ring	NBR	Rubber	8
102	Idler rotor	D-5	Ductile cast iron	2	305	Coupling bolt & nut	SS400	Mild steel	8
103	Key	S45C	Carbon steel	1	403	Frame	FC200	Cast iron	1
104	Balancing piston	S45C	Carbon steel	1	520	Mechanical seal	-	SiC & Carbon	1
201	Sleeve	FC200	Cast iron	1	521	Mech.seal cover	FC200	Cast iron	1
204	Ball bearing	SUJ2	Bearing steel	1	522	O-ring	NBR	Rubber	1
207	Retaining ring	SK5	Carbon tool steel	1	530	Oil seal	NBR	Rubber	1
253	Bearing cover	SS400	Mild steel	2	700	Safety valve complete	-	-	1
254	Thrust ball bearing	SUJ2	Bearing steel	2	920	Gasket	-	Paper	2
255	Bearing seat	SS400	Mild steel	2					



No.	Name	Material		Q' ty
		Symbol	Name of Material	
701	Safety valve box	FC200	Cast iron	1
702	Safety valve cover	SS400	Mild steel	1
704	Safety valve	S45C	Carbon steel	1
706	Safety valve seat	CAC402	Bronze	1
707	Safety valve spring	SWPA	Piano wire	1
711	Spring carrier	SS400	Mild steel	1
712	Spring carrier	SS400	Mild steel	1
713	Adjust screw	SS400	Mild steel	1
717	Safety valve cap	FC200	Cast iron	1
718	Lock nut	SS400	Mild steel	1
720	Piston rod	S45C	Carbon steel	1
721	Safety valve box	FC200	Cast iron	1
722	Safety valve cover	FC200	Cast iron	1
724	Safety valve	SUS410	Stainless steel	1
727	Safety valve spring	SWPA	Piano wire	1
732	Safety valve cover	FC200	Cast iron	1
734	Piston valve	S45C	Carbon steel	1
742	Safety valve cover	FC200	Cast iron	1
970	Gasket	-	Paper	1
971	Gasket	-	Paper	1
972	Gasket	-	Paper	1
973	Gasket	-	Paper	1
974	Gasket	-	Paper	2
975	Gasket	-	Paper	1

寸法

Dimension



形式 Model No.	口径 Bore	寸法 Dimension(mm)												ポンプ質量 Pump Weight (kg)														
	吸込み×吐出し Suc.×Dis.	A	B	C	DS	DD	E	G	H	J	M	T	Z															
MST- 30T	150×125	500	180	215	270	270	330	25	571	75	400	1250	33	310														
MST- 40T																												
MST- 50T																												
MST- 65T																												
MST- 80T																												
MST- 90T	200×150	550	210	260	330	310	450	30	670	100	550	1550	33	400														
MST-100T																												
MST-110T																												
MST-120T																												
MST-135T																												
MST-150T	250×200	570	250	310	340	350	450	35	786	100	550	1785	33	470														
MST-165T																												
MST-180T																												
MST-200T																												
MST-225T															250×200	600	250	420	340	355	460	35	896	100	560	2070	33	560
MST-250T																												
MST-270T																												
MST-300T	300×250	660	270	470	390	400	540	35	1010	120	660	2190	39	660														
MST-300T																												

※注意：T高さはモーターメーカーにより異なります。 ※電動機メーカー及び形番によりT高さ及び質量は異なります。
 Depend on motor manufacturer and model, measurement of T and weight maybe changed.

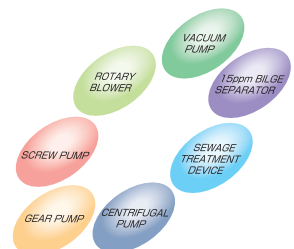
大晃機械工業株式会社 TAIKO KIKAI INDUSTRIES CO., LTD.

URL <http://www.taiko-kk.com>

- 本社・工場 〒742-1598 山口県熊毛郡田布施町大字下田布施209-1
 TEL: (0820)52-3113~4 FAX: (0820)53-1001 E-mail: business@taiko-kk.com
- 東京支店 〒101-0061 東京都千代田区三崎町3-4-9 水道橋MSビル4階
 TEL: (03)3221-8551 FAX: (03)3221-8555 E-mail: tokyo-br@taiko-kk.com
- 大阪支店 〒541-0048 大阪市中央区瓦町3-4-7 KCビル8階
 TEL: (06)6231-6241 FAX: (06)6222-3295 E-mail: osaka-br@taiko-kk.com

北京駐在事務所・上海駐在事務所・韓国大晃

- Head Office & Factory 209-1 Shimotabuse, Tabuse-cho, Kumage-gun, Yamaguchi Pref. 742-1598 Japan
 TEL: 81-820-52-3113~4 FAX: 81-820-53-1001 E-mail: business@taiko-kk.com
 - Tokyo Branch 4th floor, Suidobashi MS Building, 3-4-9 Misaki-cho, Chiyoda-ku, Tokyo 101-0061 Japan
 TEL: 81-3-3221-8551 FAX: 81-3-3221-8555 E-mail: tokyo-br@taiko-kk.com
 - Osaka Branch 8th floor, KC Building, 3-4-7 Kawara-machi, Chuo-ku, Osaka 541-0048 Japan
 TEL: 81-6-6231-6241 FAX: 81-6-6222-3295 E-mail: osaka-br@taiko-kk.com
- Beijing Office・Shanghai Office・Taiko Korea



■ ISO 9001の認証取得 お問い合わせ先の詳細は別紙【BUSINESS OFFICE NETWORK】をご覧ください。
 ■ ISO 9001 certified For any inquiries, please refer to attached 【BUSINESS OFFICE NETWORK】
 ●このカタログに記載した製品は性能向上のため予告なしに寸法及び仕様を変更することがあります。
 ●The sizes and specifications of the products in this catalog are subject to improvement.